

WASHINGTON STATE PARKS & RECREATION COMMISSION

MARK O. BROWN, CHAIR

SOPHIA DANENBERG

LAURIE CONNELLY

MICHAEL LATIMER

KEN BOUNDS

ALI RAAD

HOLLY WILLIAMS

DIANA DUPUIS, DIRECTOR



APPROVED FOR CONSTRUCTION

J. Beel
REGION MANAGER

6/29/23
date

Sharon Soelter
CAPITAL PROGRAM MANAGER

8/29/23
date

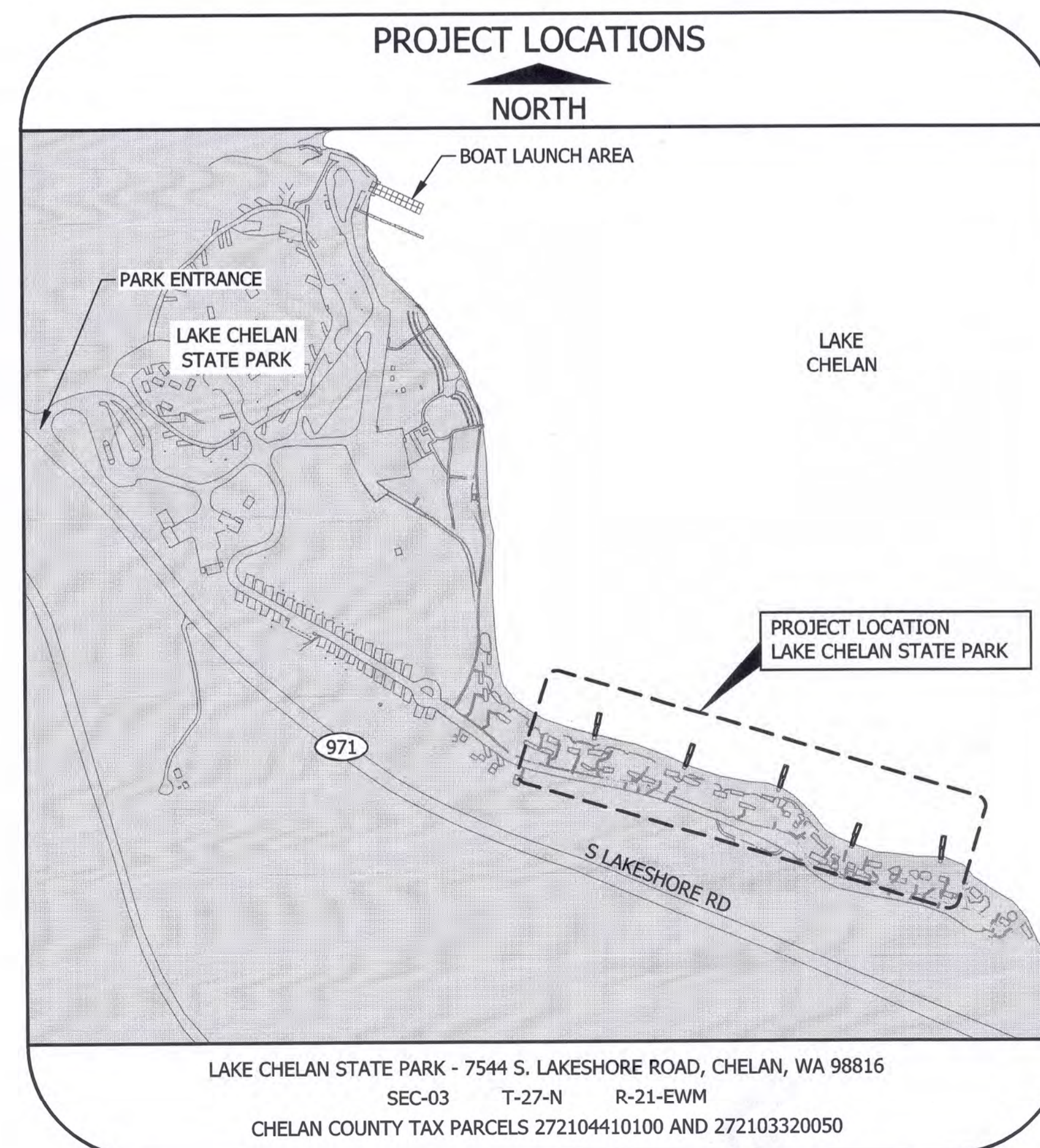
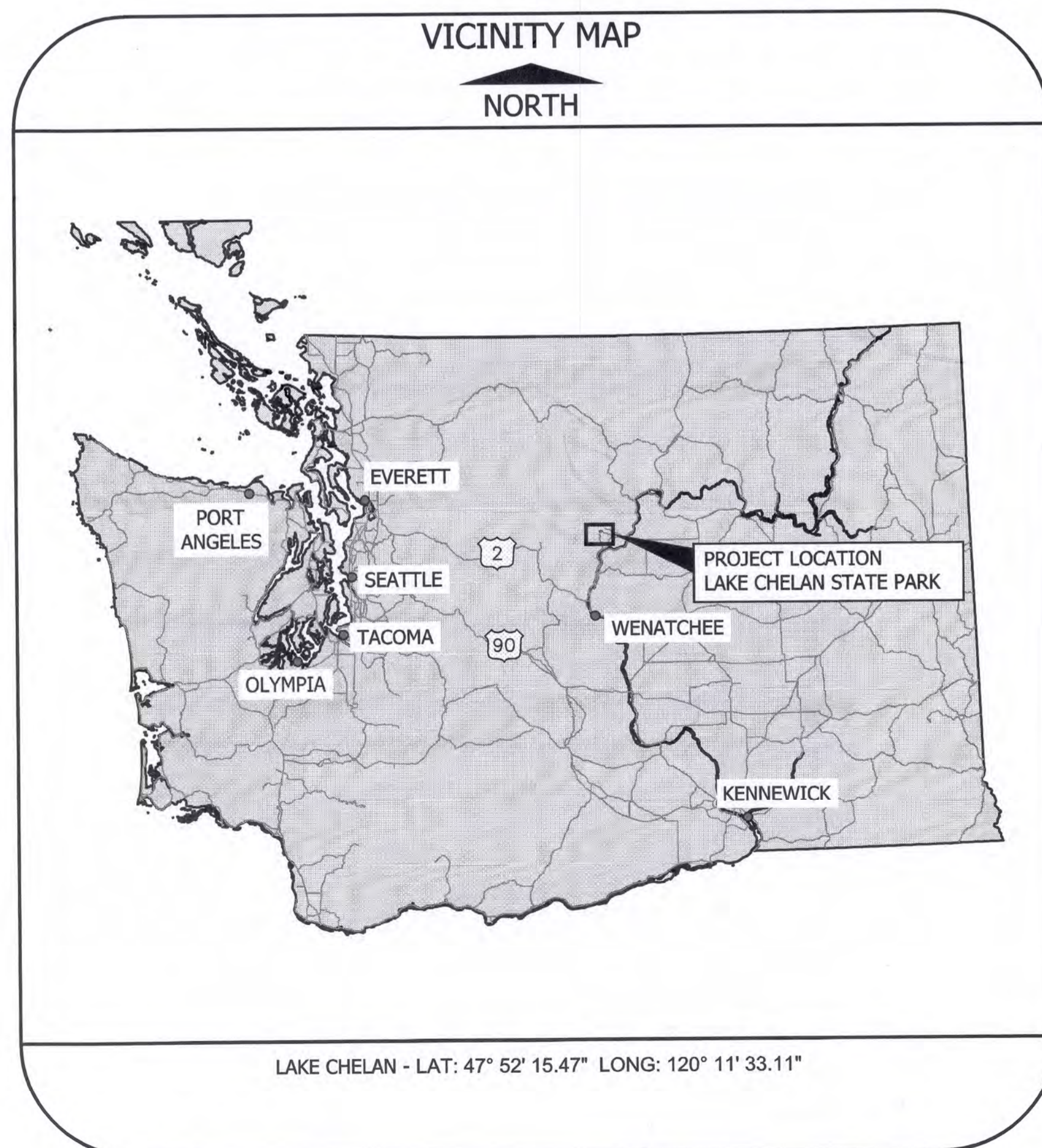
Area Manager: SHARON SOELTER

INDEX

LAKE CHELAN STATE PARK

FLOATS EXTENSIONS

SHEET	DESCRIPTION
1	PROJECT TEAM
2	SITE PLAN AND PROJECT NOTES
3	MATERIAL SUPPLY LIST
4	FLOAT 1 PLAN AND ELEVATION
5	FLOAT 2 PLAN AND ELEVATION
6	FLOAT 3 PLAN AND ELEVATION
7	FLOAT 4 PLAN AND ELEVATION
8	FLOAT 5 PLAN AND ELEVATION
9	FLOAT EXTENSION SECTIONS
10	FLOAT EXTENSION BOLTING
11	FLOAT FRAME 'F11'
12	FLOAT FRAME 'F14'
13	FLOAT FRAME 'F21'
14	FLOAT FRAME 'F24'
15	FLOAT FRAME 'F31'
16	FLOAT FRAME 'F34'
17	FLOAT FRAME 'F41'
18	FLOAT FRAME 'F44'
19	FLOAT FRAME 'F51'
20	FLOAT FRAME 'F54'
21	FLOAT FRAME 'ML'
22	FLOAT FRAME 'MR'
23	FLOAT FRAME BEAMS AND WELDING
24	PILE HOOP FRAME 'P12'
25	PILE HOOP FRAME 'P16'
26	PILE HOOP FRAME 'P16X'
27	RUBSTRIP, GRATES AND FLOAT DRUMS



PROJECT TITLE = FLOATS EXTENSIONS
CAD#:

PROJECT TEAM

OWNER: STATE OF WASHINGTON
 PARKS AND RECREATION COMMISSION
 1111 ISRAEL ROAD SOUTHWEST
 POST OFFICE BOX 42650
 OLYMPIA, WASHINGTON 98504-2650
 www.parks.wa.gov

OWNER'S REPRESENTATIVE: WASHINGTON STATE PARKS AND RECREATION COMMISSION
 220 N. WALNUT STREET
 BURLINGTON, WASHINGTON 98233

JONATHAN GIBSON, P.E.
 PROJECT REPRESENTATIVE
 TELEPHONE: (360) 755-5262
 Jonathan.Gibson@parks.wa.gov



PROJECT ARCHITECTURAL AND ENGINEERING CONSULTANTS

PROJECT LEAD:

M M
 MOTT
 MACDONALD

MOTT MACDONALD
 1601 5TH AVE, STE 800
 SEATTLE, WA 98101
 www.mottmac.com

EVAN EDGEComb, P.E.
 SENIOR PROJECT ENGINEER
 TELEPHONE: (425) 977-2592
 Evan.Edgecomb@mottmac.com

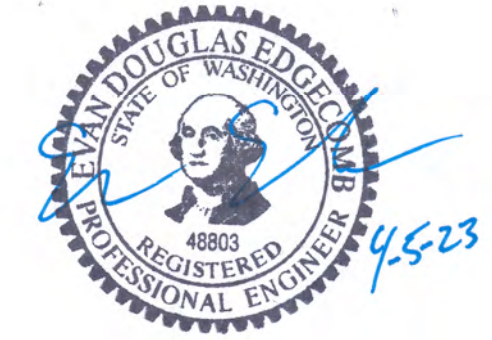
STRUCTURAL ENGINEER: MARINE STRUCTURES ENGINEERING, INC.
 1004 COMMERCIAL AVE. #364
 ANACORTES, WA 98221

KELLY D. LAFAVE, P.E.
 TELEPHONE: (360) 466-8627
 KDLafave@msn.com

CAD NO.

DATE	APP.	INT.	REVISONS	NO.

ACTION	BY	DATE
DESIGNED	KDL	3/16/23
DRAWN	KDL	3/16/23
CHECKED (FIELD)		
CHECKED (HDQTS.)		



PROJECT ENGINEER

WASHINGTON
 STATE
 PARKS
 AND
 RECREATION
 COMMISSION



LAKE CHELAN
 STATE PARK

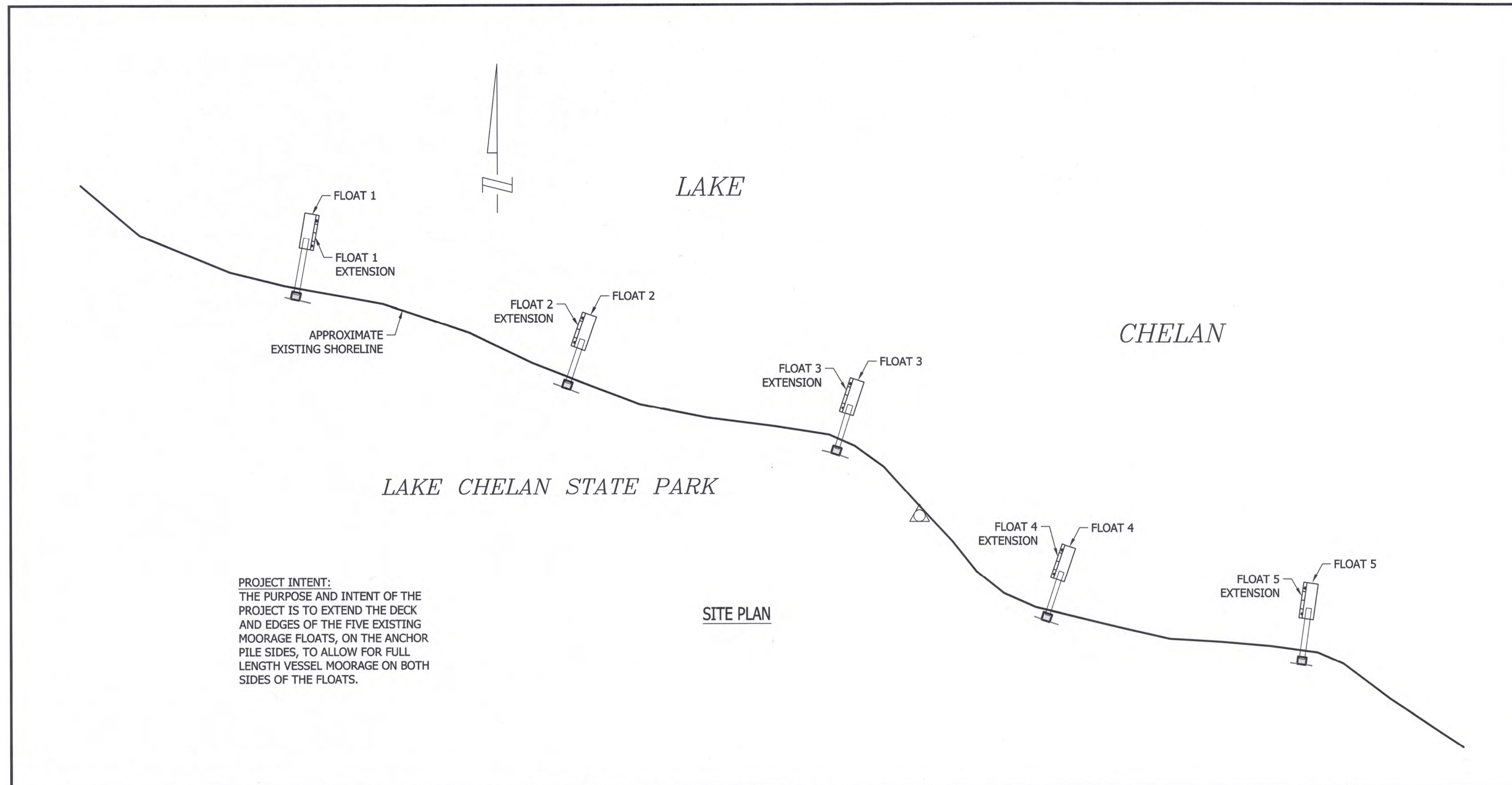
FLOATS EXTENSION

PROJECT TEAM

SCALE

NONE

PARKS FILE#



FLOAT DESIGN CRITERIA

APPLICABLE CODE: 2018 INTERNATIONAL BUILDING CODE.

DEAD LOAD: ALL STRUCTURE AND PERMANENTLY ATTACHED APPURTENANCES

LIVE LOAD (STRUCTURE): 40 PSF (UNIFORM)

LIVE LOAD (FLOATING): 25 PSF (UNIFORM)

SNOW LOAD (STRUCTURE): 55 PSF, (UNIFORM)

WIND LOAD: 110 MPH, EXPOSURE "D"

DESIGN WAVE: (2.9 FT, 2.8 SEC)

MATERIALS NOTES

METALS:
ALUMINUM SHAPES, BARS, AND PLATES SHALL BE 6061-T6.
STEEL SHAPES, BARS, AND PLATES SHALL BE ASTM A-36. STRUCTURAL PIPES SHALL BE ASTM A-53 - GRADE B.

BOLTS AND HARDWARE:
UNLESS NOTED OTHERWISE, ALL BOLTS AND OTHER FASTENERS SHALL BE TYPE 316 STAINLESS STEEL WITH TYPE 316 SS WASHERS AND SS NUTS AS APPROPRIATE. CONTRACTOR SHALL VERIFY THAT THE SIZE AND QUANTITY OF BOLTS LISTED IN THE MATERIALS LIST MATCHES THE DRAWINGS. CONTRACTOR SHALL PROCURE AND SUPPLY ALL FASTENERS NECESSARY TO BOLT UP THE FRAMES TO THE EXISTING FLOATS AS INTENDED AND SHOWN IN THE DRAWINGS.

GRATING:
GRATED DECK SHALL BE ADA COMPATIBLE, ECOGRATE62 MOLDED GRATING. GRATING SHALL HAVE A MINIMUM 60 PERCENT OPEN AREA AND BE LIGHT GRAY IN COLOR WITH INTEGRAL GRIT NON-SKID TOP SURFACE.

FLOAT DRUMS:
ROTO-MOLDED FLOAT DRUMS SHALL BE MANUFACTURED BY DEN HARTOG INDUSTRIES (ACE).

POLYETHYLENE:
RUBSTRIPS AND OTHER POLYETHYLENE COMPONENTS SHALL BE VIRGIN BLACK, FULLY OR PARTIALLY CROSS-LINKED, UV STABILIZED ULTRA-HIGH MOLECULAR WEIGHT (UHMW) POLYETHYLENE. RUBSTRIPS SHALL HAVE ROUNDED EDGES.

CAD NO.

	DATE
	APP.
	INT.

	NO.
	REVISIONS

ACTION	BY	DATE
DESIGNED	KDL	03/15/23
DRAWN	KDL	03/15/23
CHECKED (FIELD)		
CHECKED (HDQTS.)		



REGISTERED STAMP

WASHINGTON STATE PARKS AND RECREATION COMMISSION



LAKE CHELAN STATE PARK

FLOATS EXTENSIONS

SITE PLAN AND PROJECT NOTES

SCALE AS SHOWN

FILE NO.

GENERAL

- A. FABRICATE AND INSTALL ALUMINUM COMPONENTS IN ACCORDANCE WITH THE ALUMINUM ASSOCIATION'S ALUMINUM DESIGN MANUAL. FABRICATION SHALL BE ACCURATELY SET TO ESTABLISHED STRAIGHT LINES AND ANGLES, AND SECURELY FASTENED IN PLACE. CUTTING, DRILLING AND PUNCHING SHALL PRODUCE CLEAN TRUE LINES AND SURFACES.
- B. ALL EXPOSED SURFACES OF WORK SHALL HAVE A SMOOTH FINISH. ALL EXPOSED SHARP EDGES SHALL BE ROUNDED.
- C. CONSTRUCTION METHODS AND PRODUCTS NOT SPECIFICALLY MENTIONED IN THE CONTRACT DOCUMENTS SHALL BE EXECUTED USING REASONABLE CARE AND THE HIGHEST QUALITY CONSTRUCTION PRACTICES. ANY CONFLICTS BETWEEN CONTRACT DRAWINGS, RELATED CODES, INDUSTRY STANDARDS SHALL BE IMMEDIATELY BROUGHT TO THE ATTENTION OF THE OWNER AND ENGINEER IN WRITING FOR RESOLUTION.
- D. UNLESS OTHERWISE NOTED, THE FABRICATOR SHALL SUPPLY ALL MATERIALS SHOWN IN THE CONTRACT DRAWINGS TO FABRICATE THE PROJECT COMPONENTS. ALL SOURCE MATERIALS SHALL BE NEW, FREE FROM DEFECTS AND IMPERFECTIONS.
- E. IDENTIFICATION MARKS AND DIRECTIONAL ARROWS. PROVIDE PIECE MARKS, IDENTIFIERS AND DIRECTIONAL ARROWS ON ALL MEMBERS AND SUB-ASSEMBLIES REQUIRING ON-SITE ASSEMBLY.
- F. SHOP ASSEMBLY. ALL COMPONENTS SHALL BE FULLY ASSEMBLED IN THE SHOP TO DETERMINE THE CORRECTNESS OF THE FABRICATION AND MATCHING OF THE COMPONENT PARTS AND TO ENSURE THAT ALL THE HOLES, CONNECTIONS, SCREWS AND BOLTS ALIGN AND ARE ACCOUNTED FOR WITHOUT THE NEED OF MODIFICATION PRIOR TO SHIPMENT. ADDITIONALLY, THE OWNER SHALL INSPECT THE FULLY ASSEMBLED COMPONENTS PRIOR TO SHIPMENT. ANY CORRECTIONS POINTED OUT BY THE OWNER DUE TO THE FABRICATION NOT BEING STRAIGHT, FLUSH, OR COMPLETE SHALL BE CORRECTED AT THE FABRICATOR'S EXPENSE PRIOR TO SHIPMENT. TOLERANCES SHALL NOT EXCEED THAT WHICH PREVENTS THE COMPONENTS FROM BEING ASSEMBLED FLUSH WITH EACH OTHER. BEFORE DISASSEMBLY FOR SHIPMENT EACH PIECE SHALL BE MATCH_MARKED TO FACILITATE EASY ASSEMBLY IN THE FIELD.
- G. MATERIALS STORAGE AND DELIVERY. COMPONENTS SHALL BE STORED AND HANDLED IN THE MANNER RECOMMENDED BY THE MANUFACTURER TO PREVENT PERMANENT DEFLECTION, DISTORTION OR DAMAGE. ANY SUCH PERMANENT DEFLECTION, DISTORTION, OR DAMAGE SHALL BE REPAIRED BY THE FABRICATOR AT THE FABRICATOR'S EXPENSE TO THE SATISFACTION OF THE OWNER AND THE ENGINEER.

QUALITY ASSURANCE

- A. TESTS AND INSPECTIONS. A AWS CERTIFIED WELD INSPECTOR (CWI) SHALL PERFORM TESTS AND INSPECTIONS OF WELDING. FABRICATOR TO SUBMIT WELD INSPECTION REPORTS TO THE OWNER. COSTS ASSOCIATED WITH TESTS AND INSPECTIONS SHALL BE INCLUDED IN FABRICATOR'S COSTS.
- B. ALUMINUM SECTIONS AND HARDWARE SHALL BE INSPECTED AND APPROVED BY THE OWNER AND ENGINEER TO VERIFY CONFORMANCE WITH THE CONTRACT DRAWINGS AND THIS SECTION FOR FABRICATION/MANUFACTURE PRIOR TO DELIVERY TO THE PROJECT SITE.
- C. REPAIR OF NONCONFORMING WORK. AT THE OWNER'S AND ENGINEER'S DISCRETION, THE FABRICATOR SHALL REPLACE OR REPAIR ANY WORK FOUND BY THE FABRICATOR, FABRICATOR'S INSPECTOR, ENGINEER, OR OWNER TO NOT BE IN CONFORMANCE WITH THE RELEVANT CODES, SPECIFICATIONS, AND CONTRACT DRAWINGS AT THE FABRICATOR'S EXPENSE. ALL SUCH DIRECTION SHALL BE PROVIDED IN WRITING.

SUBMITTALS

- A. FABRICATION WORK PLAN. WRITTEN DESCRIPTION OF PLAN FOR FABRICATION AND QUALITY CONTROL INCLUDING PROPOSED SCHEDULE AND PROCEDURES SHALL BE SUBMITTED TO THE OWNER AND THE ENGINEER. QC PLAN SHOULD INCLUDE A POST-FABRICATION ASSEMBLY TO VERIFY FRAMES FIT UP AS EXPECTED IN ADDITION TO CHECKING BOLT HOLE LOCATIONS MATCH THE DRAWINGS AND THAT NO SIGNIFICANT WARPING HAS OCCURRED.
- B. PRODUCT CERTIFICATES AND DATA. SUBMIT MANUFACTURERS' MILL CERTIFICATES AND CERTIFICATES OF COMPLIANCE FOR THE STRUCTURAL ALUMINUM AND FASTENERS. PROVIDE TECHNICAL DATA SHEETS, INSTALLATION INSTRUCTIONS, AND WARRANTIES FROM MANUFACTURERS FOR ALL PRODUCTS USED AS PART OF THE WORK, INCLUDING RUBSTRIPS AND FLOAT TUBS.
- C. WELDER CERTIFICATES, QUALIFICATION AND PROCEDURES. PROVIDE FOR PROPOSED WELDERS SHOWING THAT THEY HAVE BEEN QUALIFIED TO AWS D1.2 OR WABO CERTIFICATION. SUBMIT WELDING PROCEDURE SPECIFICATIONS (WPS) AND WELD PROCEDURE QUALIFICATION RECORDS (PQR) FOR EACH TYPE OF WELDING REQUIRED IN THE MANUFACTURE OF THE DOCK EXTENSIONS TO THE OWNER REPRESENTATIVE FOR APPROVAL. PQRS SHALL BE APPROVED PRIOR TO COMMENCEMENT OF FABRICATION.
- D. WELD INSPECTION REPORTS.

WELDING REQUIREMENTS

- A. ALUMINUM ITEMS SHALL BE FABRICATED IN ACCORDANCE WITH AA'S SPECIFICATIONS FOR ALUMINUM STRUCTURES AND AWS D1.2, STRUCTURAL WELDING CODE ALUMINUM OR WABO FOR ALUMINUM WELDING.
- B. QUALIFICATIONS. ALUMINUM WELDING SHALL BE PERFORMED BY WELDERS CERTIFIED AS BEING QUALIFIED IN ACCORDANCE WITH AWS D1.2 FOR FULL PENETRATION GROOVE WELDING IN ALL POSITIONS, USING THE PROCEDURES, MATERIALS, AND EQUIPMENT OF THE TYPE REQUIRED FOR THE WORK.
- C. IF ANY WELDER HAS NOT BEEN ENGAGED IN THE WELDING PROCESS FOR THREE OR MORE MONTHS, THEY MUST REQUALIFY BEFORE PERFORMING ANY STRUCTURAL WELDING WORK.

FABRICATOR QUALIFICATIONS

- A. THE ALUMINUM DOCK EXTENSIONS SHALL BE FABRICATED BY A FIRM WITH A MINIMUM OF FIVE (5) 5 CONSECUTIVE YEARS OF RECORDED EXPERIENCE IN THE MANUFACTURING OF SIMILAR ALUMINUM SYSTEMS AS THEIR PRIMARY BUSINESS AND HAVE SUCCESSFULLY COMPLETED AT LEAST 10 SIMILAR PROJECTS WITHIN THE PAST 3 YEARS.
- B. MANUFACTURING FACILITY MUST BE LOCATED WITHIN 300 MILES OF THE PROJECT SITE.
- C. FABRICATOR SHALL PROVIDE SUFFICIENT SUPERVISORS AND SKILLED WORKERS WHO ARE THOROUGHLY FAMILIAR WITH THE TYPE OF FABRICATION INVOLVED AND THE TECHNIQUES REQUIRED FOR THE PROPER EXECUTION OF THE WORK.

DELIVERY AND INSTALLATION

- A. THE FABRICATOR SHALL COORDINATE A FLOAT PRE-ASSEMBLY MEETING TO INCLUDE THE OWNER, THE FABRICATOR, AND THE ENGINEER TO DISCUSS SPECIFIC FLOAT ASSEMBLY PROCEDURES IN ORDER TO PROVIDE A FULL, COMPLETE, AND QUALITY INSTALLATION.
- B. THE FABRICATOR SHALL BE RESPONSIBLE FOR DELIVERY AND UNLOADING TO THE OWNER COORDINATED LOCATION AT LAKE CHELAN STATE PARK.
- C. THE FABRICATOR SHALL NOTIFY THE OWNER AND THE ENGINEER AT LEAST 30 DAYS IN ADVANCE OF THE DELIVERY, THE TIME AND DATE OF THE DELIVERY.
- D. THE FABRICATOR SHALL BE RESPONSIBLE FOR ANY DAMAGE TO THE DOCK EXTENSIONS FROM SHIPMENT, ANY DAMAGE RESULTING FROM HANDLING, AND STORING/STAGING, SHALL BE REPAIRED (OR FLOAT UNIT REPLACED) AT THE FABRICATOR'S EXPENSE.

TOTAL PROJECT MATERIALS SUPPLY LIST

ITEM DESCRIPTION	QUANTITY REQUIRED	QUANTITY SPARE	QUANTITY TOTAL	DRAWING SHEET	ITEM DESCRIPTION	QUANTITY REQUIRED	QUANTITY SPARE	QUANTITY TOTAL	DRAWING SHEET
FASTENERS:					PILE HOOP FRAMES:				
5/8" X 10" SS MACH. BOLT NC	234	26	260	9	FRAME 'P12'	5	-	5	23
5/8" X 1 1/2" SS MACH. BOLT NC	90	20	110	9	FRAME 'P16'	4	-	4	24
1/2" X 6" SS MACH. BOLT NC	200	30	230	9	FRAME 'P16X'	1	-	1	25
1/2" X 3" SS MACH. BOLT NC	80	20	100	9	RUBSTRIP:				
1/2" X 5" SS MACH. BOLT NC	100	20	120	9	RUBSTRIP '80'	20	4	24	26
5/8" SS FLAT WASHER	882	188	1070	9	RUBSTRIP 'EL'	5	2	7	26
5/8" SS NYLOC NUT	324	66	390	9	RUBSTRIP 'ER'	5	2	7	26
1/2" SS FLAT WASHER	680	140	820	9	GRATE PANEL:				
1/2" SS NYLOC NUT	300	60	360	9	GRATE PANEL	40	8	48	26
FLOAT EXTENSION FRAMES:					FLOAT DRUMS				
FRAME 'F11'	1	-	1	10	36" X 72" X 16" ACE DRUM	10	2	12	26
FRAME 'F14'	1	-	1	11	SPARE PARTS:				
FRAME 'F21'	1	-	1	12	THE CONTRACTOR IS TO FURNISH ALL SPARE PARTS LISTED IN THESE DRAWINGS WITH THE DELIVERY OF THE FLOAT EXTENSION FRAMES. SPARE PARTS SHALL BE SHIPPED LOOSE AND CLEARLY LABELED.				
FRAME 'F24'	1	-	1	13					
FRAME 'F31'	1	-	1	14					
FRAME 'F34'	1	-	1	15					
FRAME 'F41'	1	-	1	16					
FRAME 'F44'	1	-	1	17					
FRAME 'F51'	1	-	1	18					
FRAME 'F54'	1	-	1	19					
FRAME 'ML'	5	-	5	20					
FRAME 'MR'	5	-	5	21					

CAD NO.	
DATE	INT. APP.
REVISIONS	
NO.	

ACTION	BY	DATE
DESIGNED	KDL	03/15/23
DRAWN	KDL	03/15/23
CHECKED (FIELD)		
CHECKED (HQDTS.)		



REGISTERED STAMP

WASHINGTON STATE PARKS AND RECREATION COMMISSION



LAKE CHELAN STATE PARK

FLOATS EXTENSIONS

MATERIAL SUPPLY LIST

SCALE AS SHOWN

FILE NO.

CAD NO.

DATE

APP.

INT.

REVISIONS

NO.

ACTION	BY	DATE
DESIGNED	KDL	03/15/23
DRAWN	KDL	03/15/23
CHECKED (FIELD)		
CHECKED (HDQTS.)		



REGISTERED STAMP

WASHINGTON
STATE
PARKS
AND
RECREATION
COMMISSION



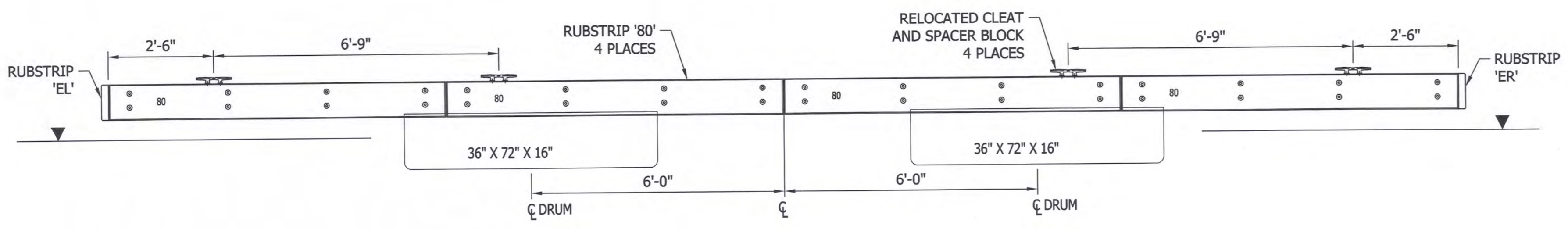
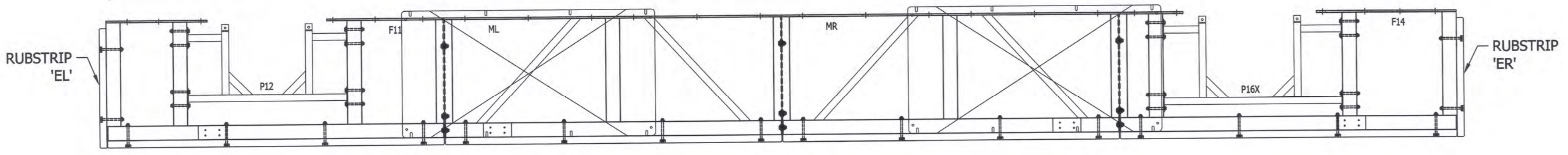
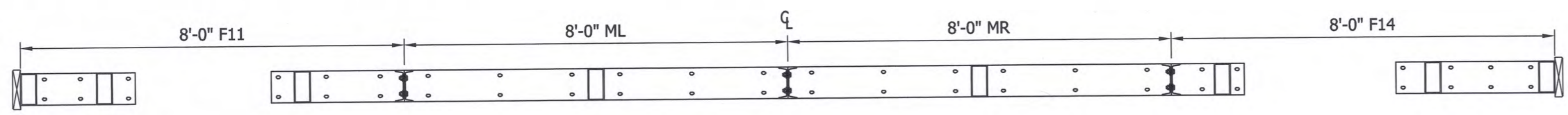
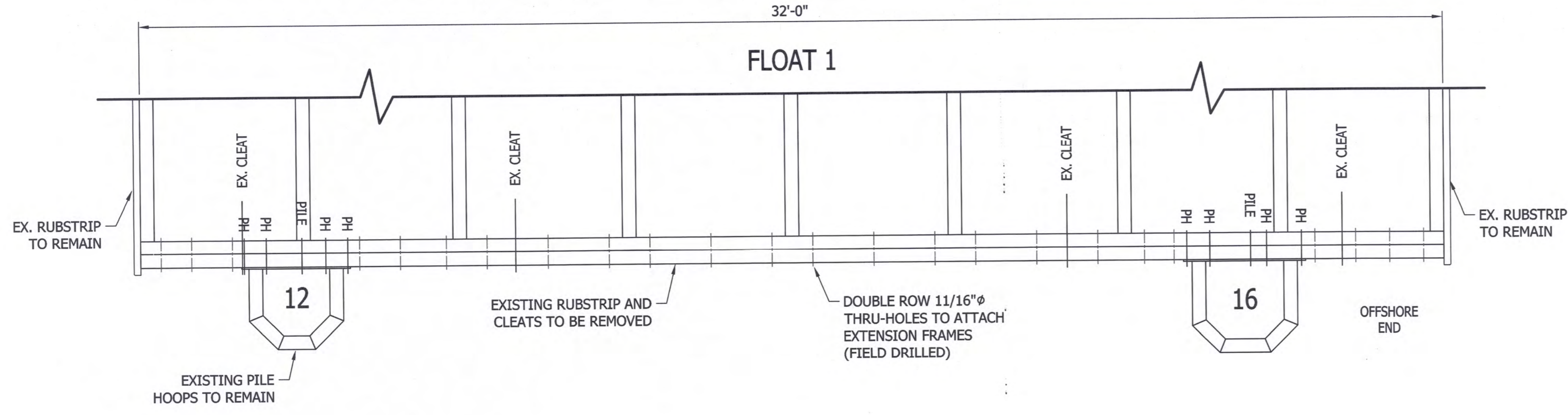
LAKE CHELAN
STATE PARK

FLOATS
EXTENSIONS

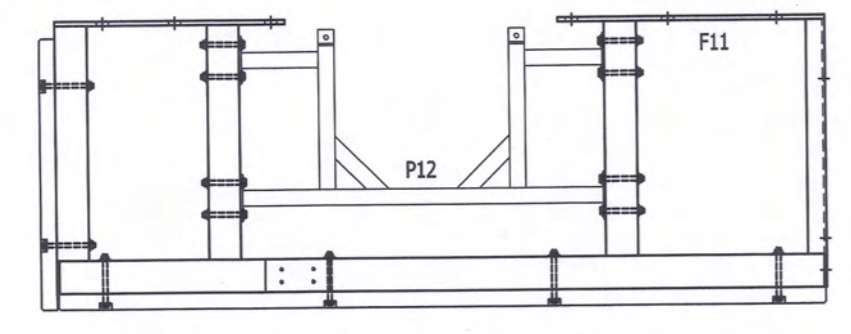
FLOAT 1
PLAN AND ELEVATION

SCALE
AS SHOWN

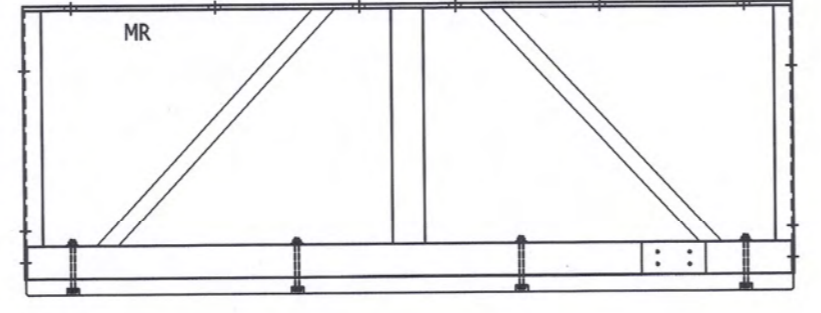
FILE NO.



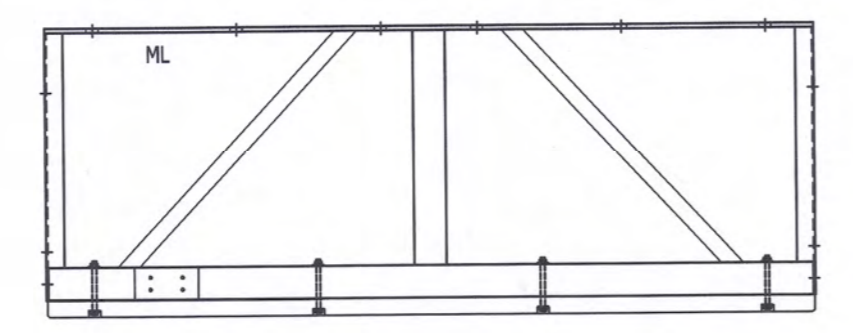
FLOAT 1 EXTENSION PLAN AND ELEVATION



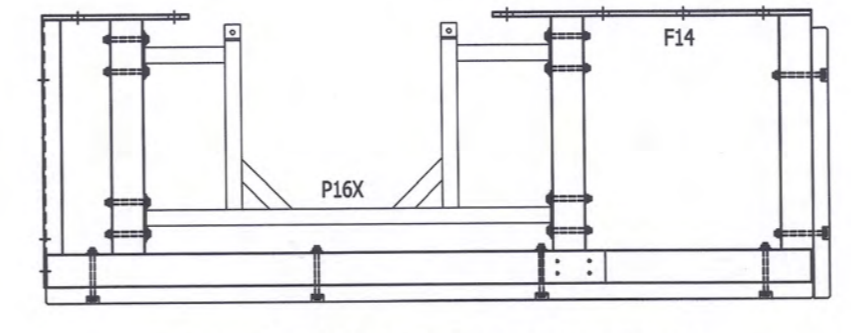
FRAME 'F11' W/ PILE FILLER 'P12'



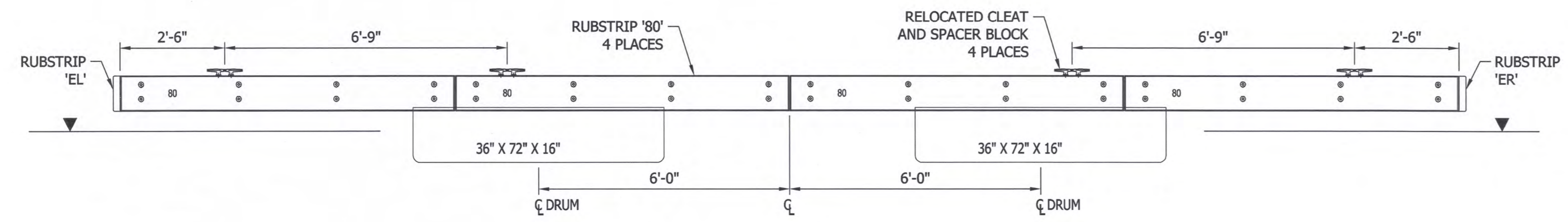
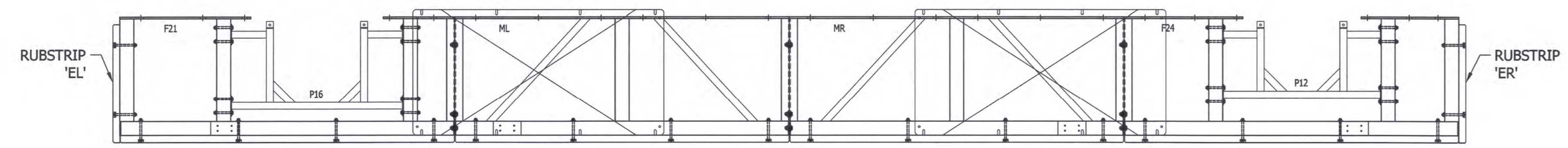
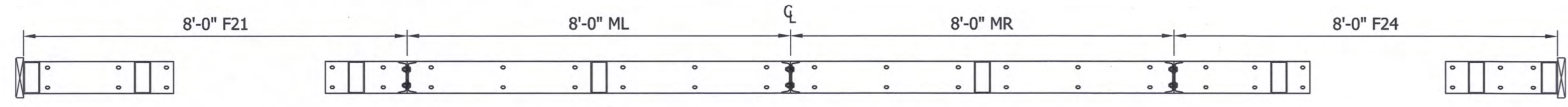
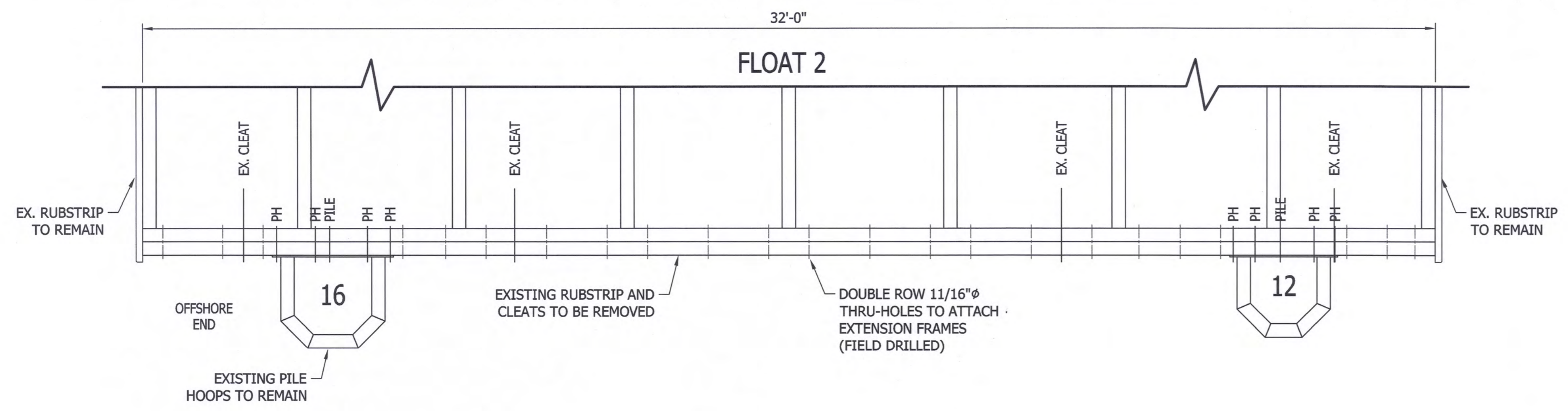
FRAME 'MR'



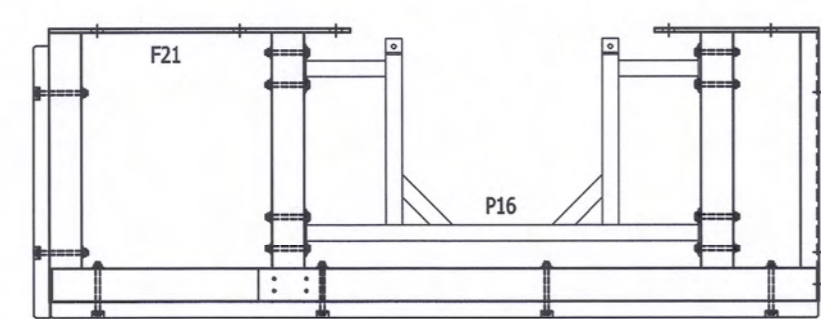
FRAME 'ML'



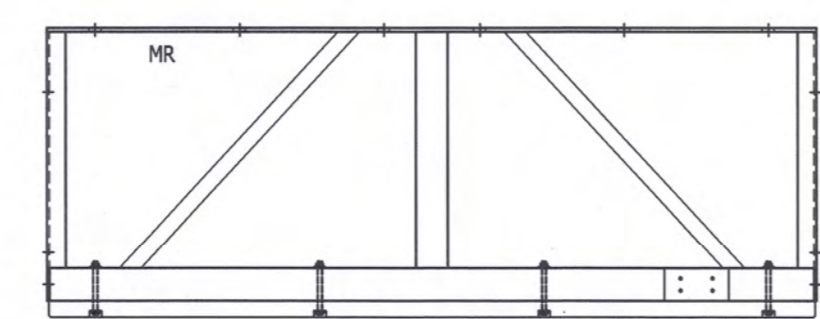
FRAME 'F14' W/ PILE HOOP FRAME 'P16X'



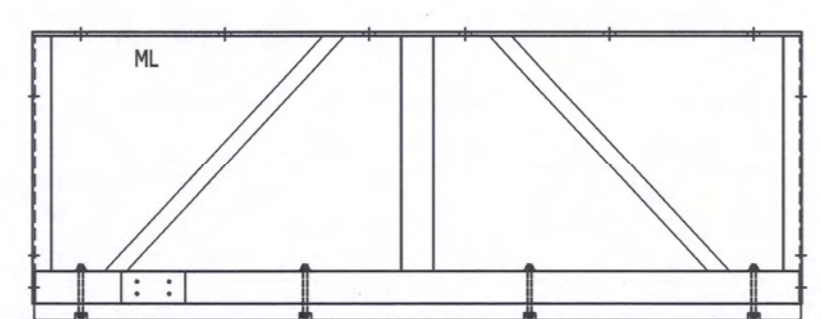
FLOAT 2 EXTENSION PLAN AND ELEVATION



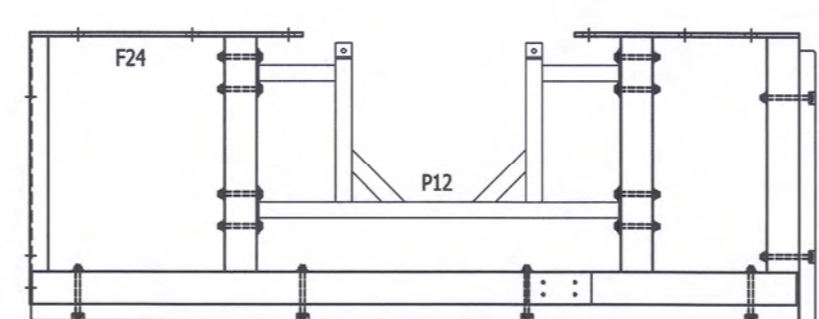
FRAME 'F21' W/ PILE HOOP FRAME 'P16'



FRAME 'MR'



FRAME 'ML'



FRAME 'F24' W/ PILE HOOP FRAME 'P12'

CAD NO.		
	APP.	DATE
	INT.	
	REVISIONS	
		NO.

ACTION	BY	DATE
DESIGNED	KDL	03/15/23
DRAWN	KDL	03/15/23
CHECKED (FIELD)		
CHECKED (HDQTS.)		



REGISTERED STAMP

WASHINGTON STATE PARKS AND RECREATION COMMISSION



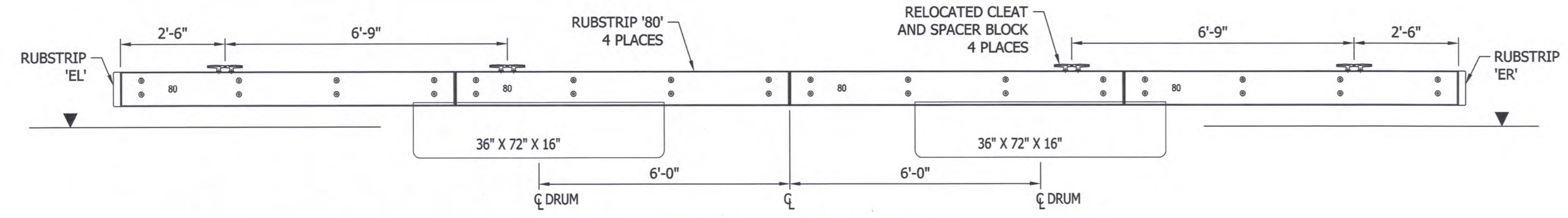
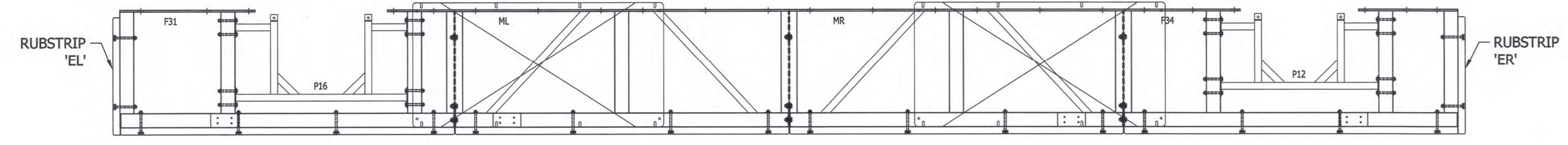
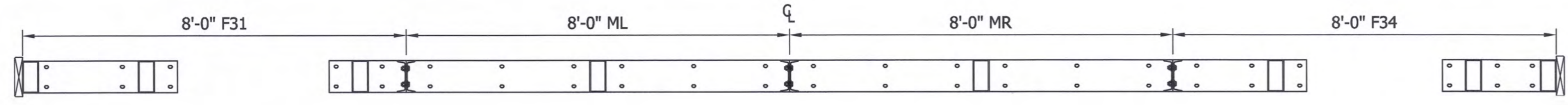
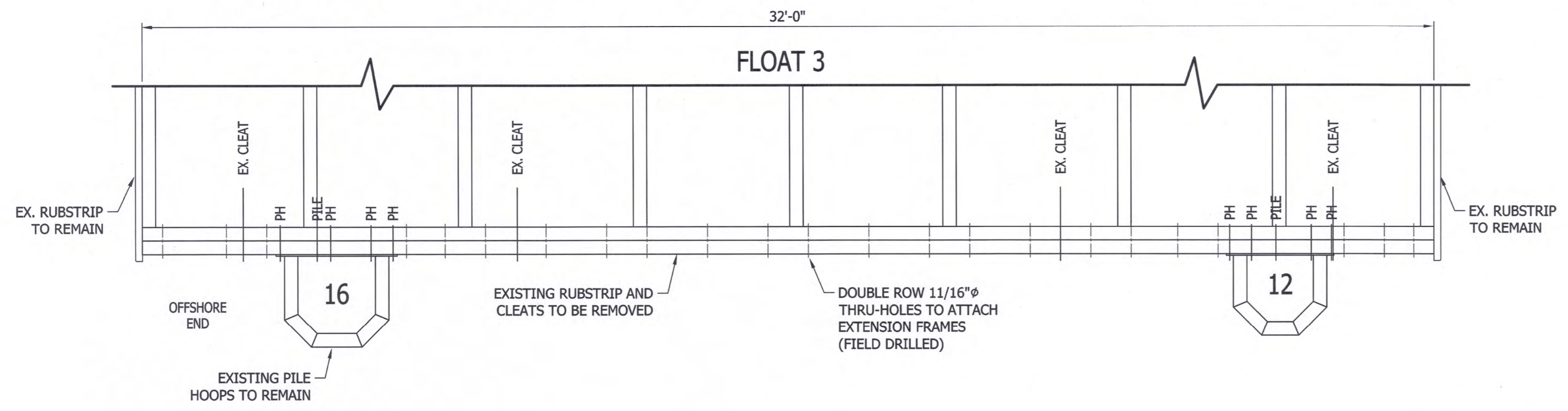
LAKLE CHELAN STATE PARK

FLOATS EXTENSIONS

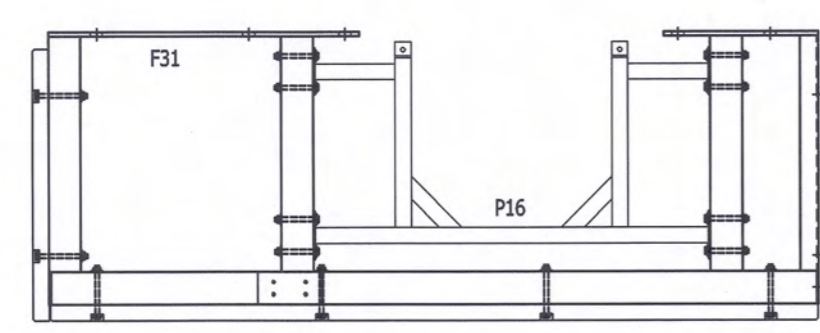
FLOAT 2 PLAN AND ELEVATION

SCALE AS SHOWN

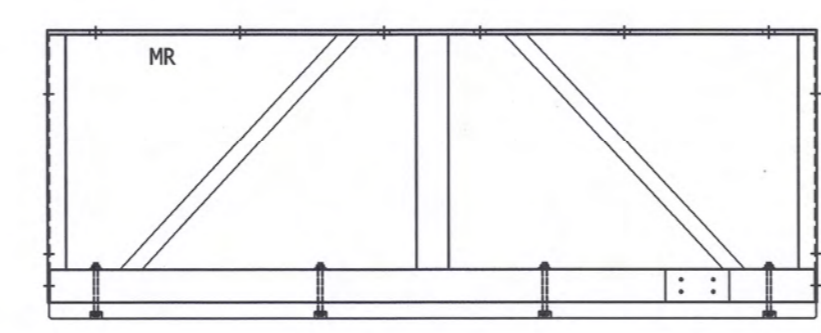
FILE NO.



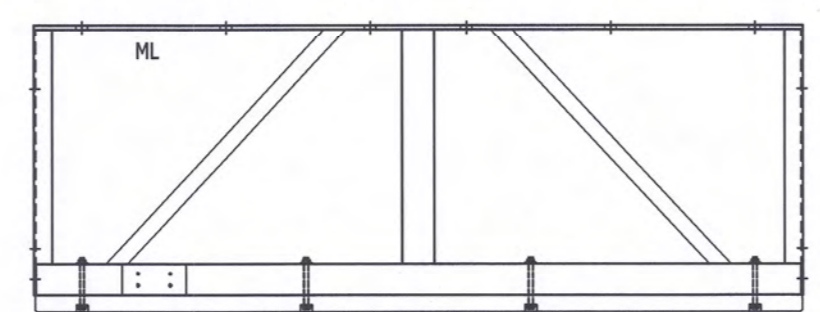
FLOAT 3 EXTENSION PLAN AND ELEVATION



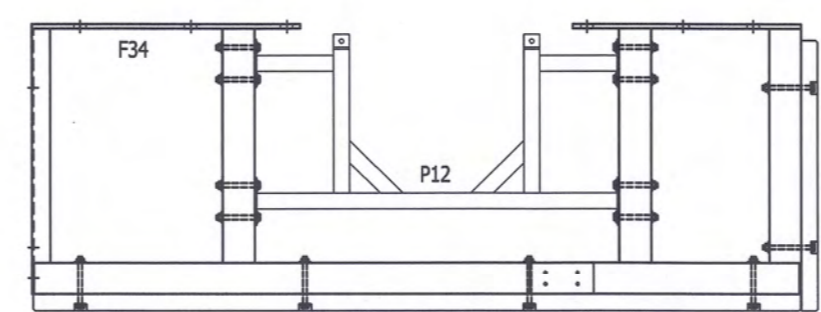
FRAME 'F31' W/ PILE HOOP FRAME 'P16'



FRAME 'MR'



FRAME 'ML'



FRAME 'F34' W/ PILE HOOP FRAME 'P12'

CAD NO.		
	INT.	DATE
	APP.	
	REVISIONS	
		NO.

ACTION	BY	DATE
DESIGNED	KDL	03/15/23
DRAWN	KDL	03/15/23
CHECKED (FIELD)		
CHECKED (HDQTS.)		



REGISTERED STAMP

WASHINGTON
STATE
PARKS
AND
RECREATION
COMMISSION



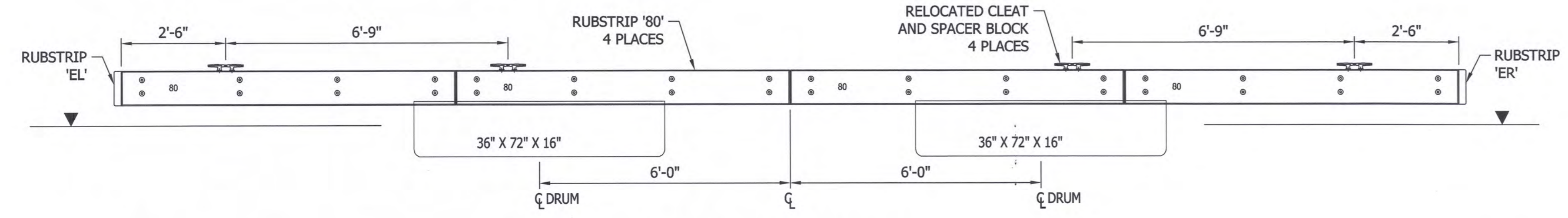
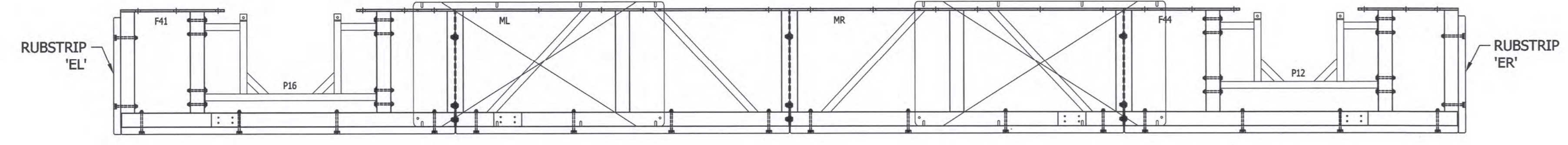
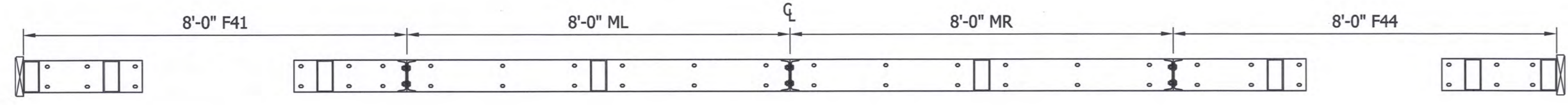
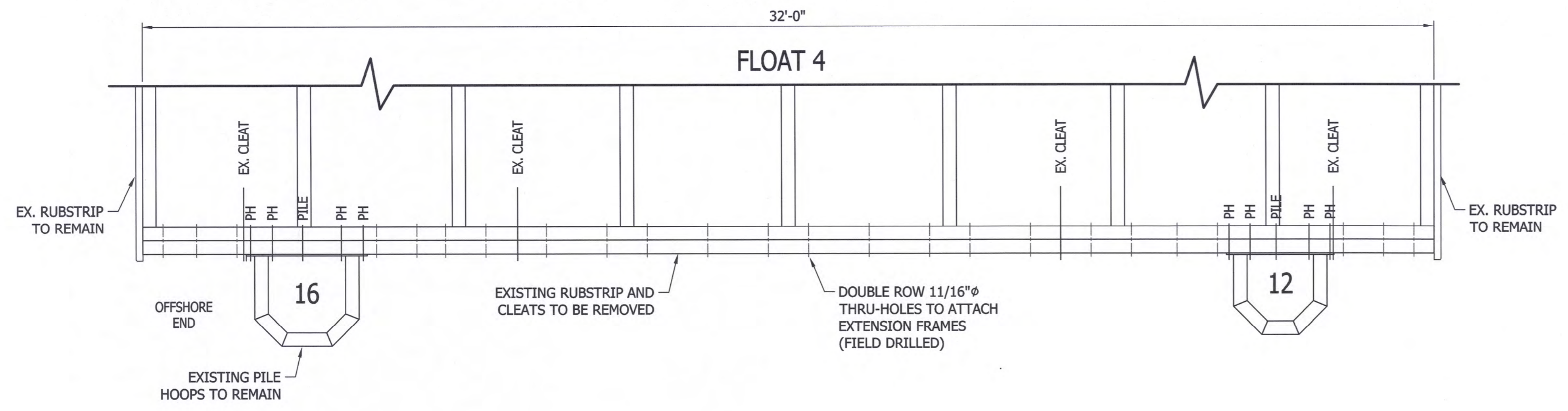
LAKE CHELAN
STATE PARK

FLOATS
EXTENSIONS

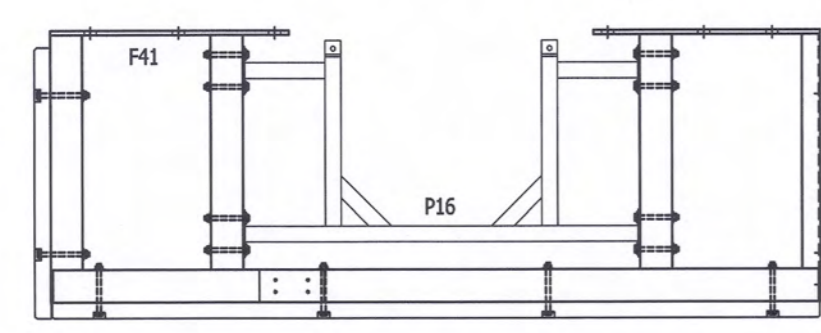
FLOAT 3
PLAN AND ELEVATION

SCALE
AS SHOWN

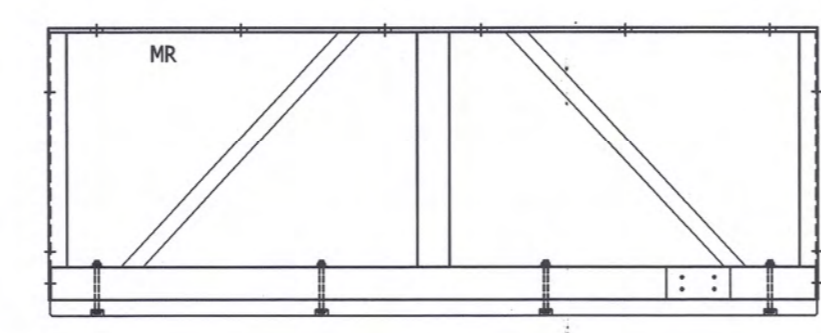
FILE NO.



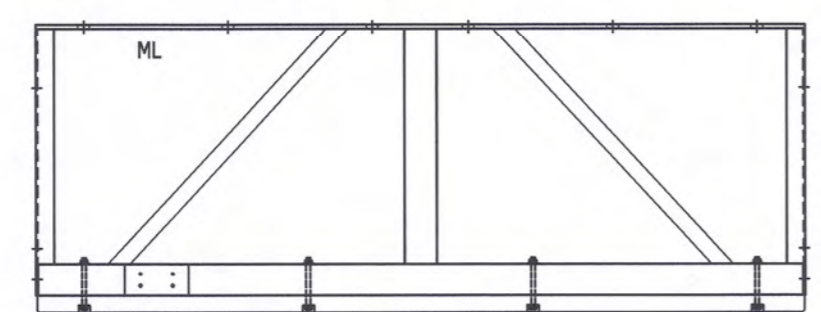
FLOAT 4 EXTENSION PLAN AND ELEVATION



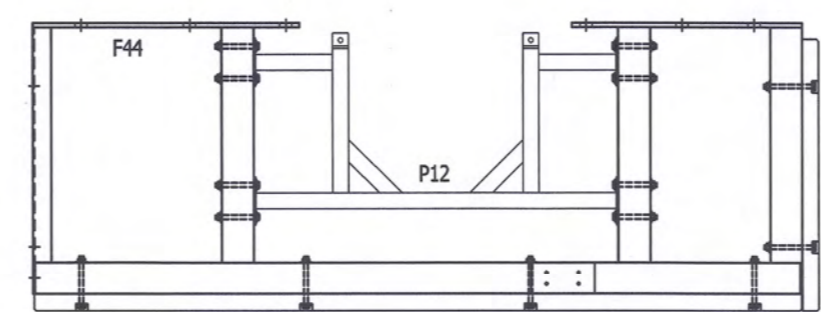
FRAME 'F41' W/ PILE HOOP FRAME 'P16'



FRAME 'MR'



FRAME 'ML'



FRAME 'F44' W/ PILE HOOP FRAME 'P12'

CAD NO.		
	INT.	DATE
	APP.	
	REVISIONS	
		NO.

ACTION	BY	DATE
DESIGNED	KDL	03/15/23
DRAWN	KDL	03/15/23
CHECKED (FIELD)		
CHECKED (HDQTS.)		



REGISTERED STAMP

WASHINGTON
STATE
PARKS
AND
RECREATION
COMMISSION



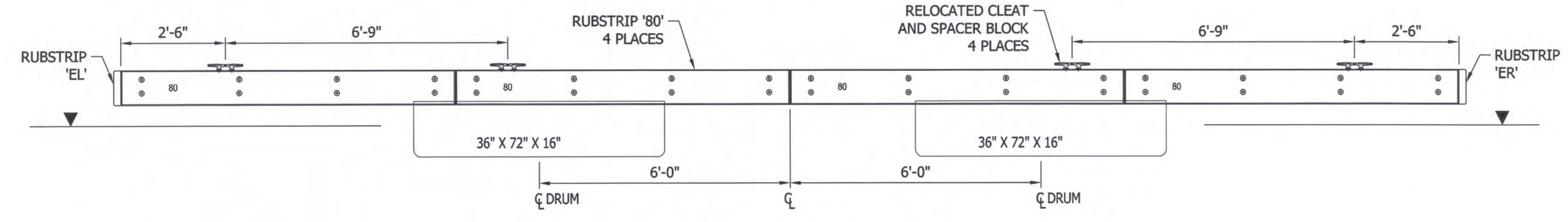
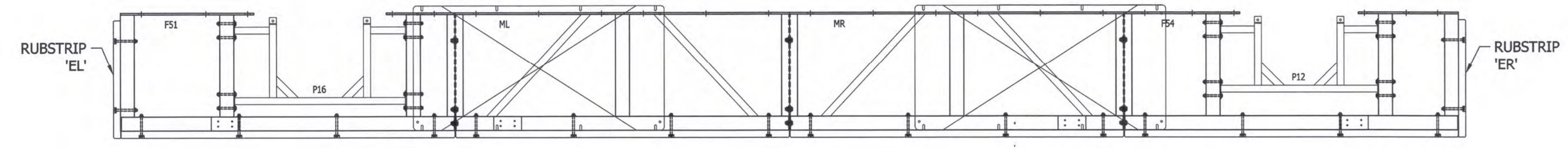
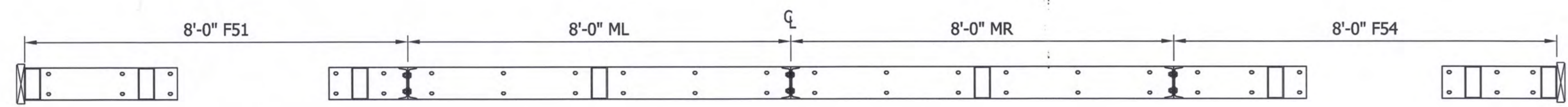
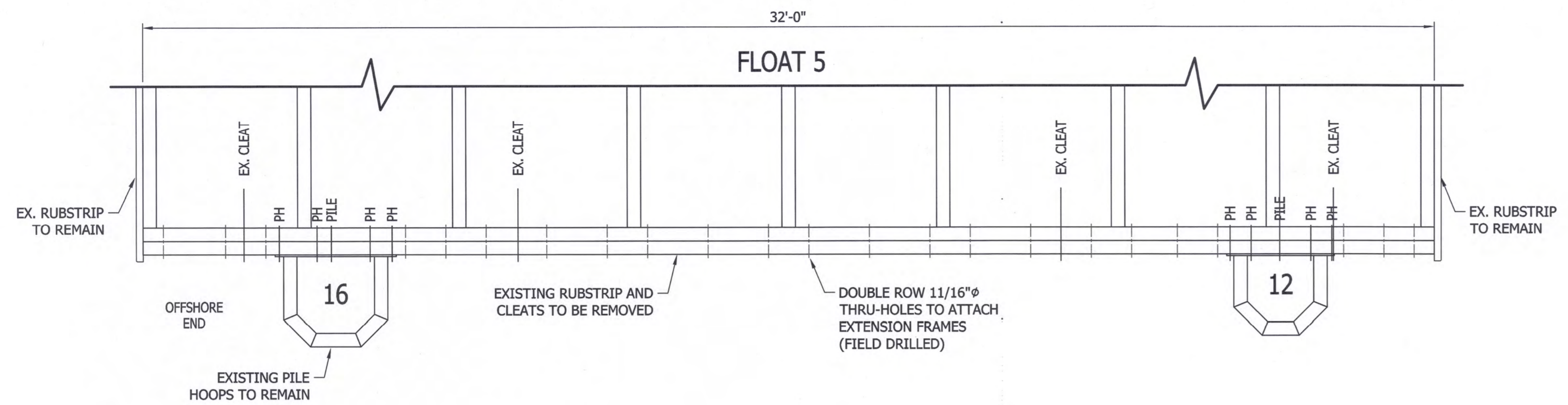
LAKE CHELAN
STATE PARK

FLOATS
EXTENSIONS

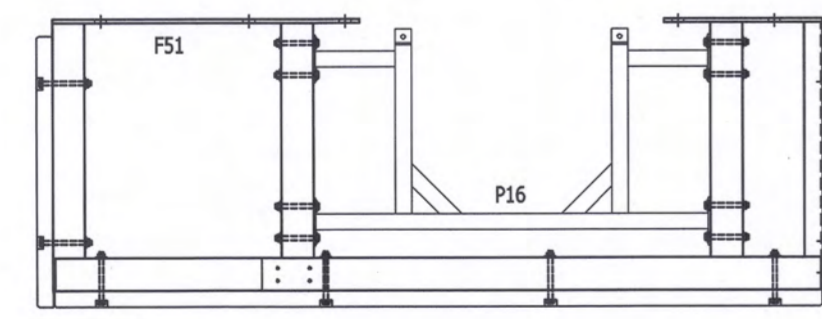
FLOAT 4
PLAN AND ELEVATION

SCALE	AS SHOWN
-------	----------

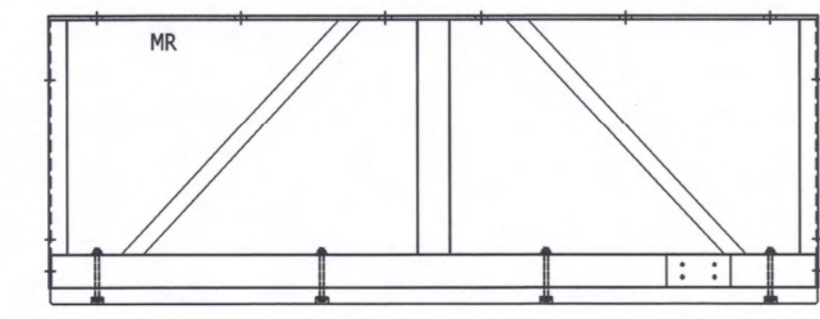
FILE NO.



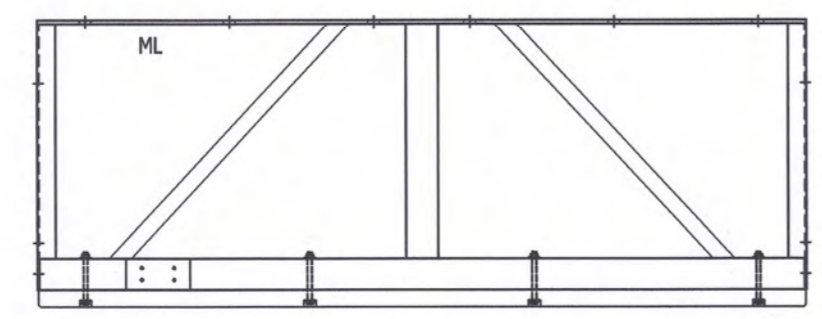
FLOAT 5 EXTENSION PLAN AND ELEVATION



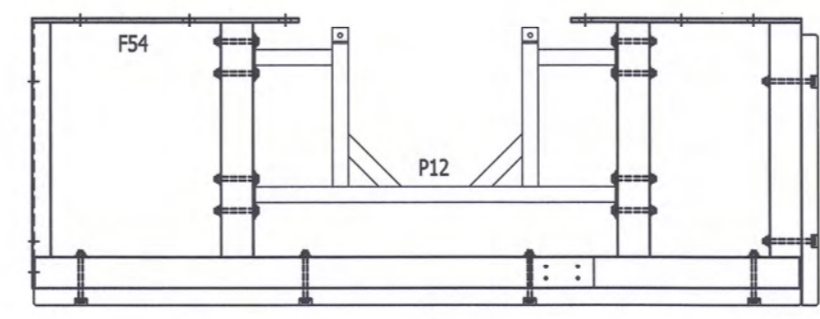
FRAME 'F51' W/ PILE HOOP FRAME 'P16'



FRAME 'MR'



FRAME 'ML'



FRAME 'F54' W/ PILE HOOP FRAME 'P12'

CAD NO.	
INT.	DATE
APP.	DATE
NO.	DATE

ACTION	BY	DATE
DESIGNED	KDL	03/15/23
DRAWN	KDL	03/15/23
CHECKED (FIELD)		
CHECKED (HDQTS.)		



REGISTERED STAMP

WASHINGTON STATE PARKS AND RECREATION COMMISSION



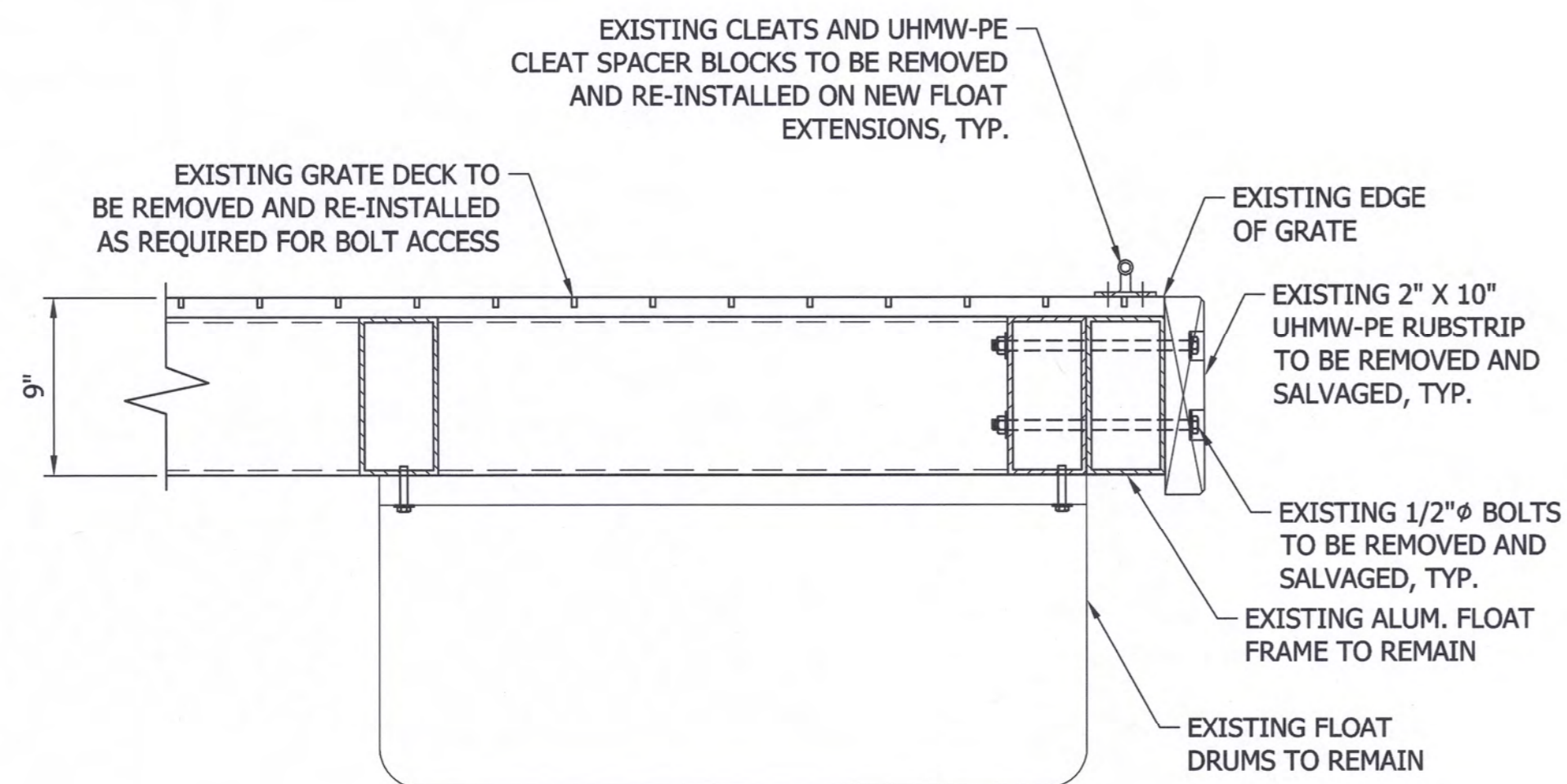
LAKE CHELAN STATE PARK

FLOATS EXTENSIONS

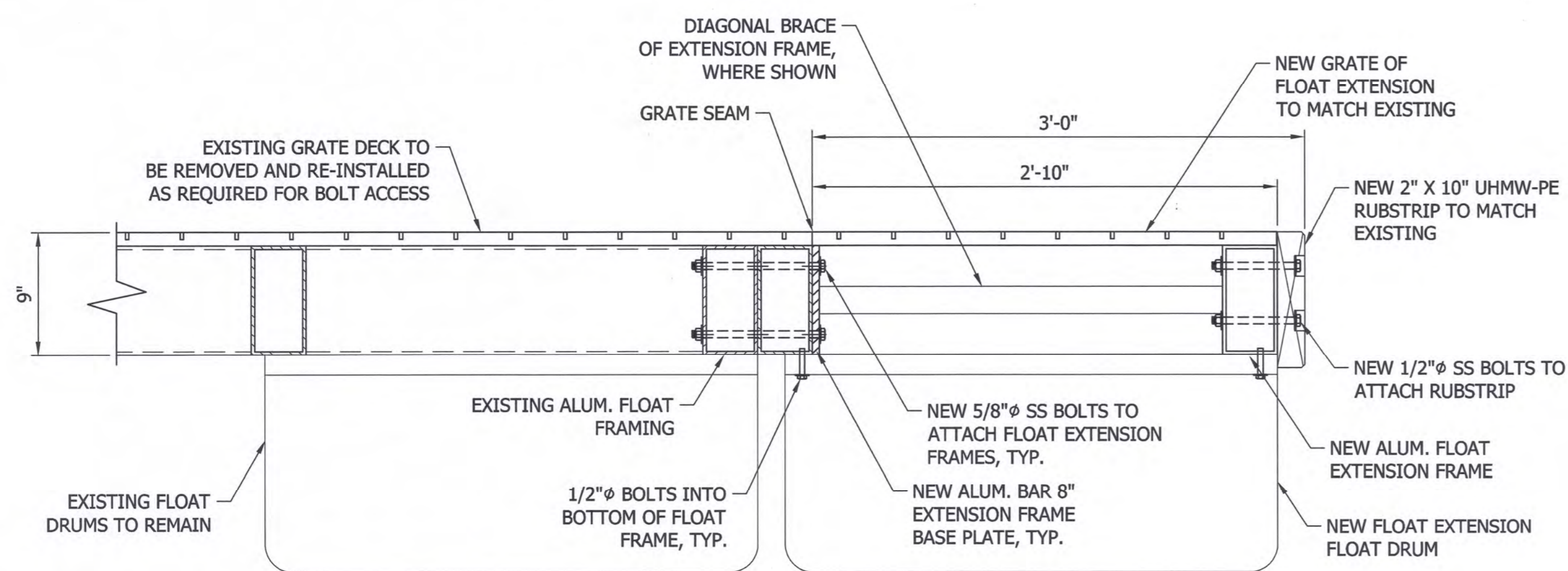
FLOAT 5 PLAN AND ELEVATION

SCALE AS SHOWN

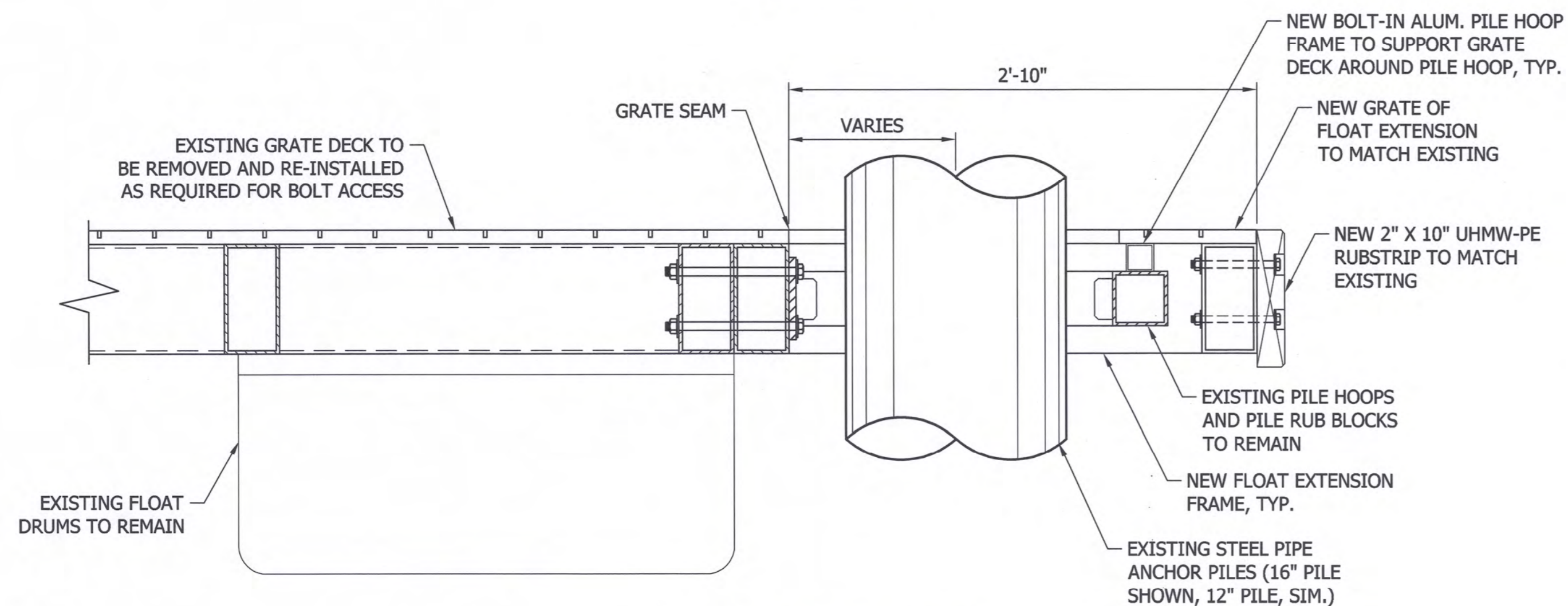
FILE NO.



EXISTING FLOAT EDGE



FLOAT EXTENSION SECTION AT FLOAT DRUMS



FLOAT EXTENSION SECTION AT PILE HOOP

CAD NO.

	DATE
	APP.
	INT.
	REVISIONS
	NO.

ACTION	BY	DATE
DESIGNED	KDL	03/15/23
DRAWN	KDL	03/15/23
CHECKED (FIELD)		
CHECKED (HDQTS.)		



REGISTERED STAMP

WASHINGTON STATE PARKS AND RECREATION COMMISSION



LAKE CHELAN STATE PARK

FLOATS EXTENSIONS

FLOAT EXTENSION SECTIONS

SCALE

AS SHOWN

FILE NO.

	DATE
	APP.
	INT.
	REVISIONS
	NO.

ACTION	BY	DATE
DESIGNED	KDL	03/15/23
DRAWN	KDL	03/15/23
CHECKED (FIELD)		
CHECKED (HDQTS.)		



REGISTERED STAMP

WASHINGTON STATE PARKS AND RECREATION COMMISSION



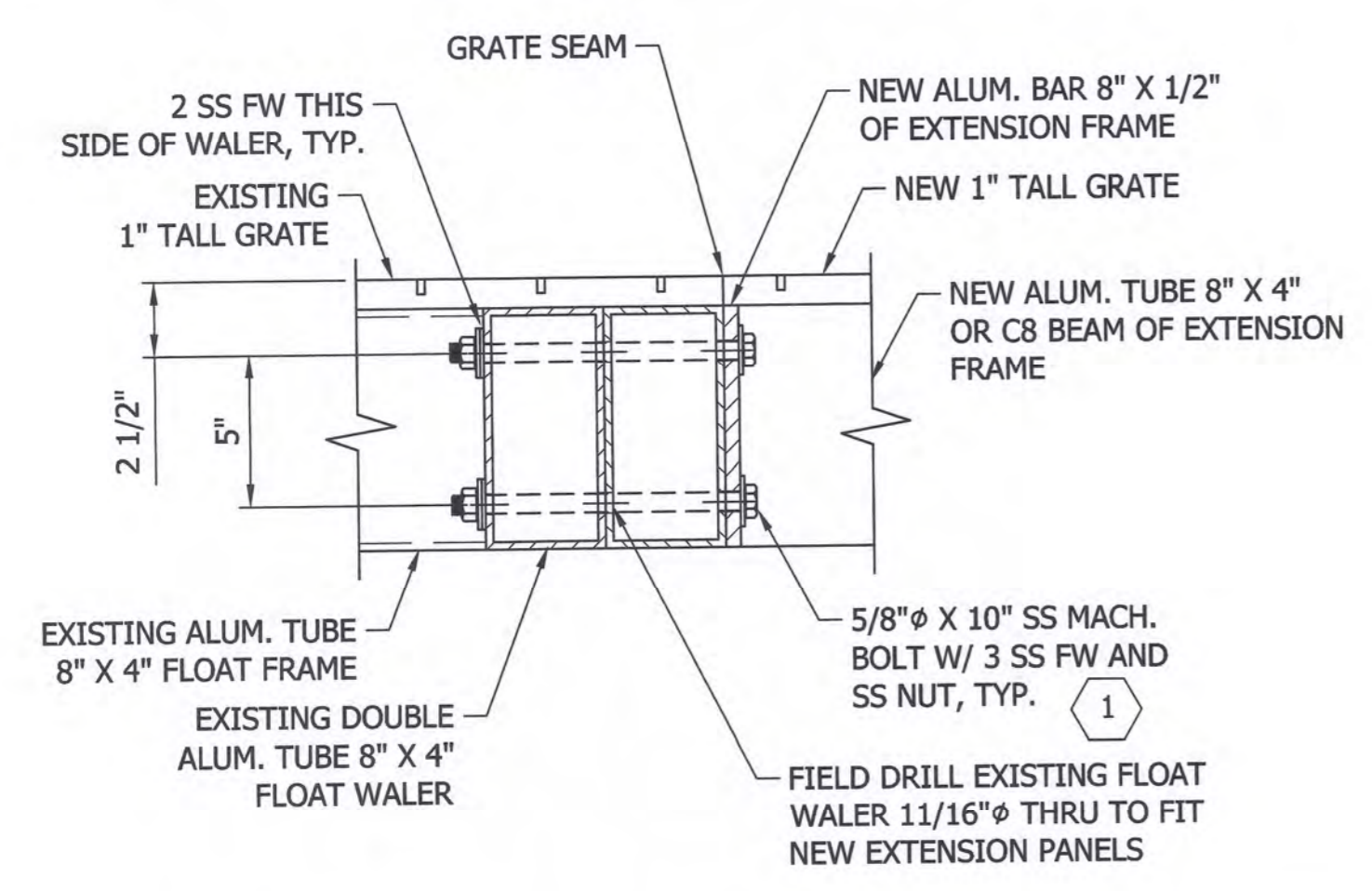
LAKE CHELAN STATE PARK

FLOATS EXTENSIONS

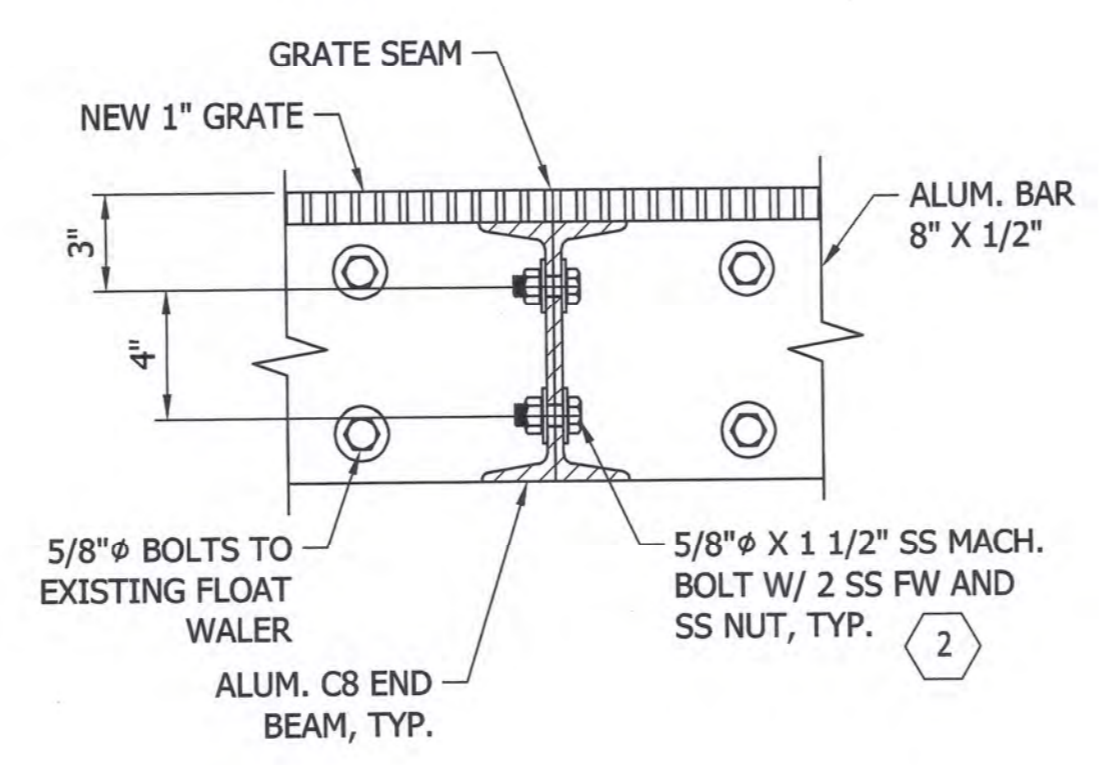
FLOAT EXTENSION BOLTING

SCALE	AS SHOWN
FILE NO.	

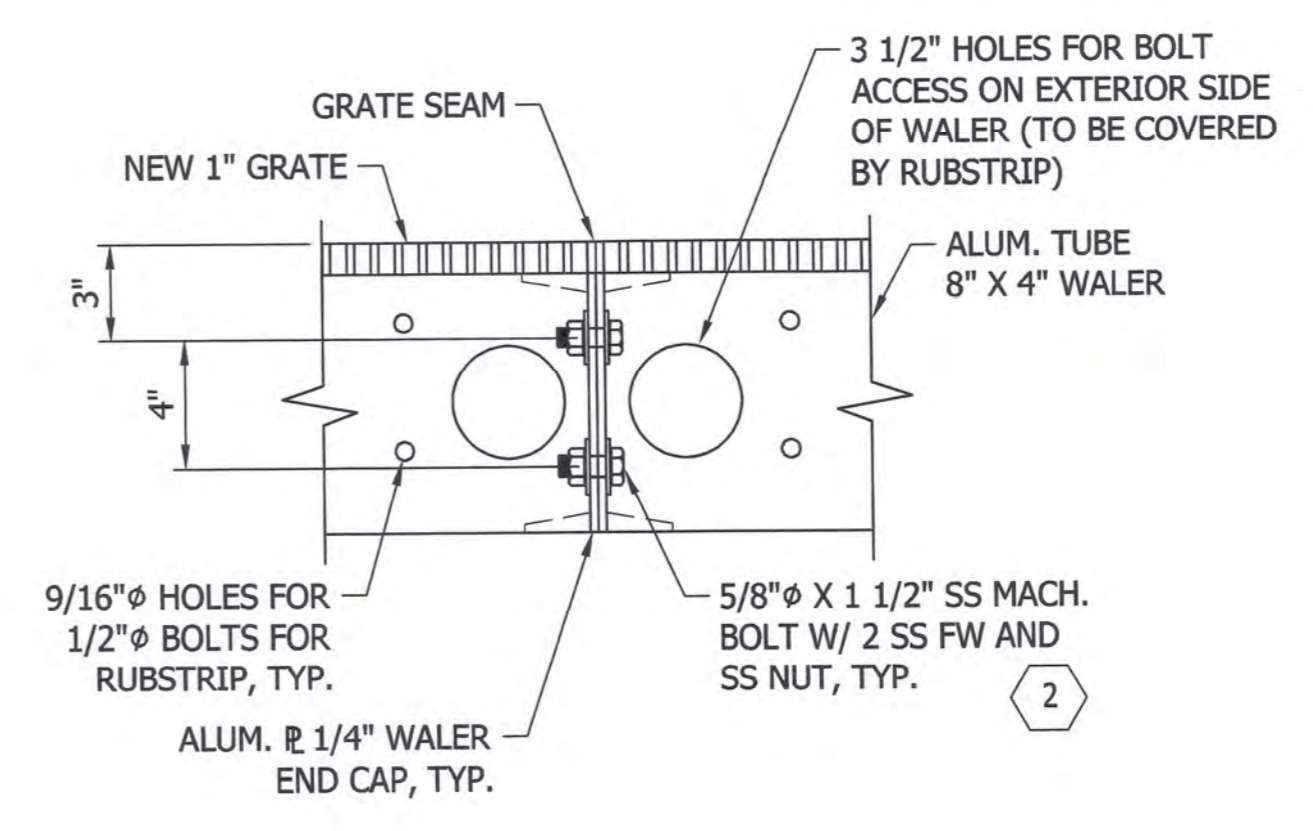
	1	2	3	4	5
	5/8"φ X 10" SS MACH. BOLT W/ 3 SS FW AND SS NUT	5/8"φ X 1 1/2" SS MACH. BOLT W/ 2 SS FW AND SS NUT	1/2"φ X 6" SS MACH. BOLT W/ 2 SS FW AND SS NUT	1/2"φ X 3" SS MACH. BOLT W/ SS FW	1/2"φ X 5" SS MACH. BOLT W/ 2 SS FW AND SS NUT
FLOAT 1	46	18	40	16	20
FLOAT 2	48	18	40	16	20
FLOAT 3	46	18	40	16	20
FLOAT 4	46	18	40	16	20
FLOAT 5	48	18	40	16	20
TOTAL	234	90	200	80	100



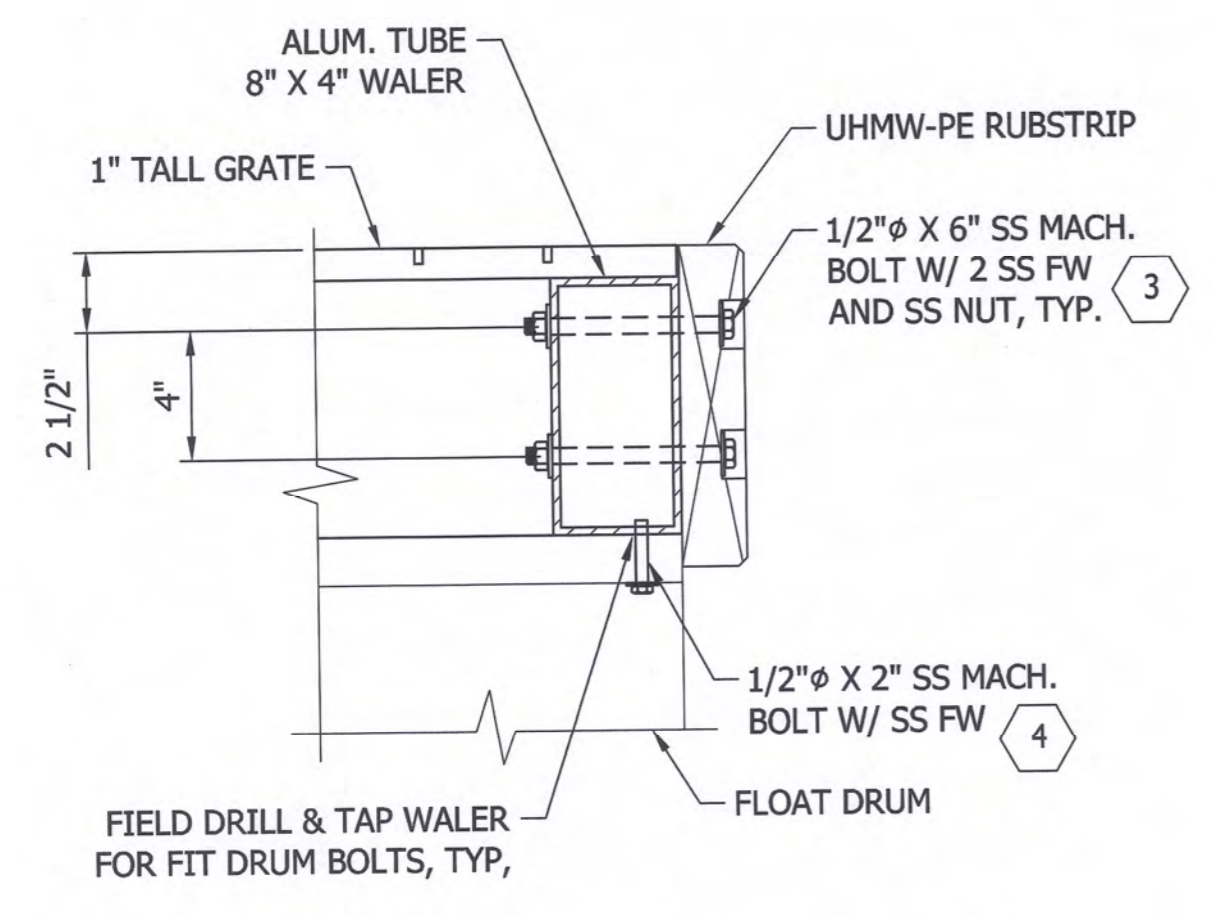
EXTENSION FRAME TO EXISTING FLOAT



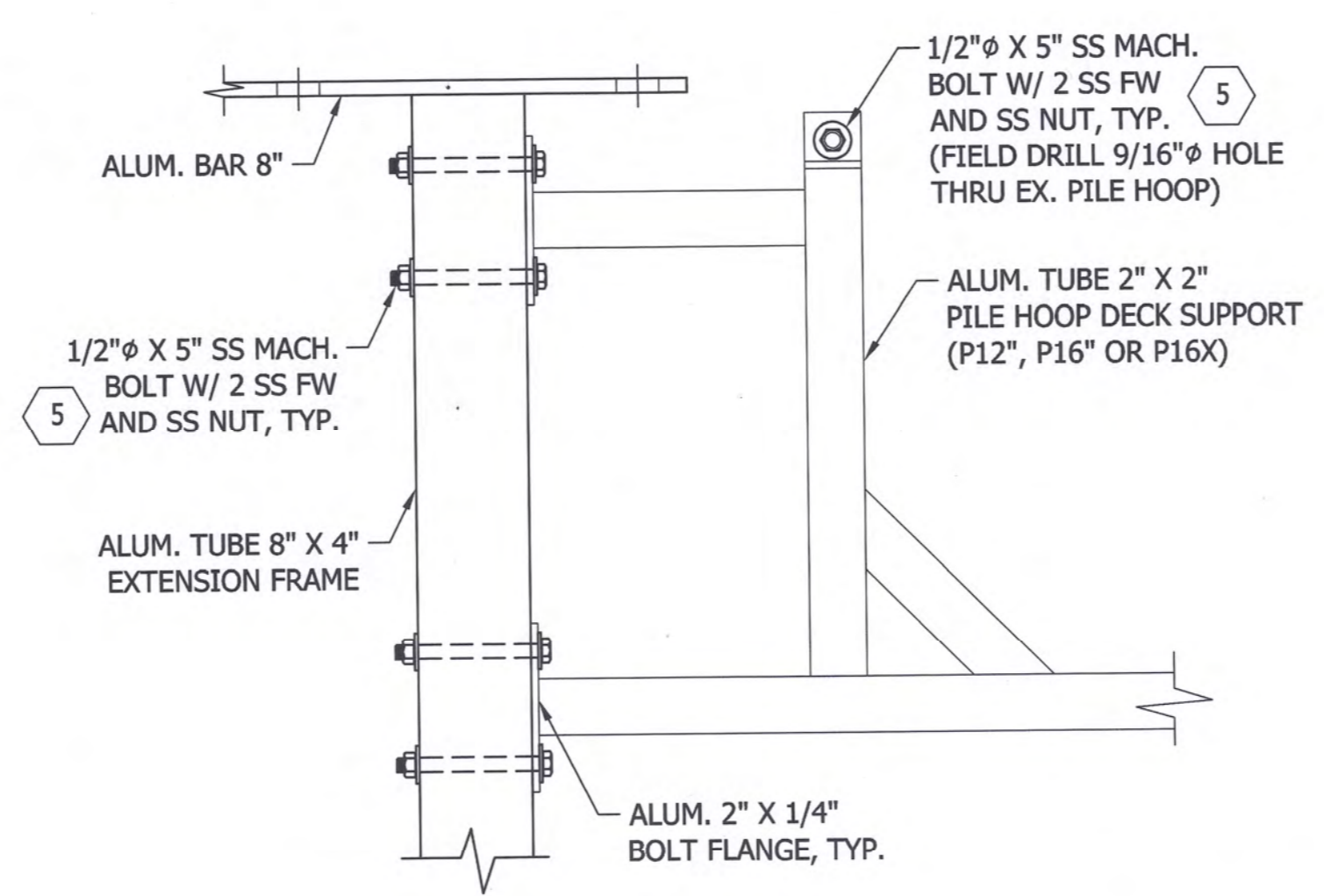
EXTENSION FRAME END BEAMS



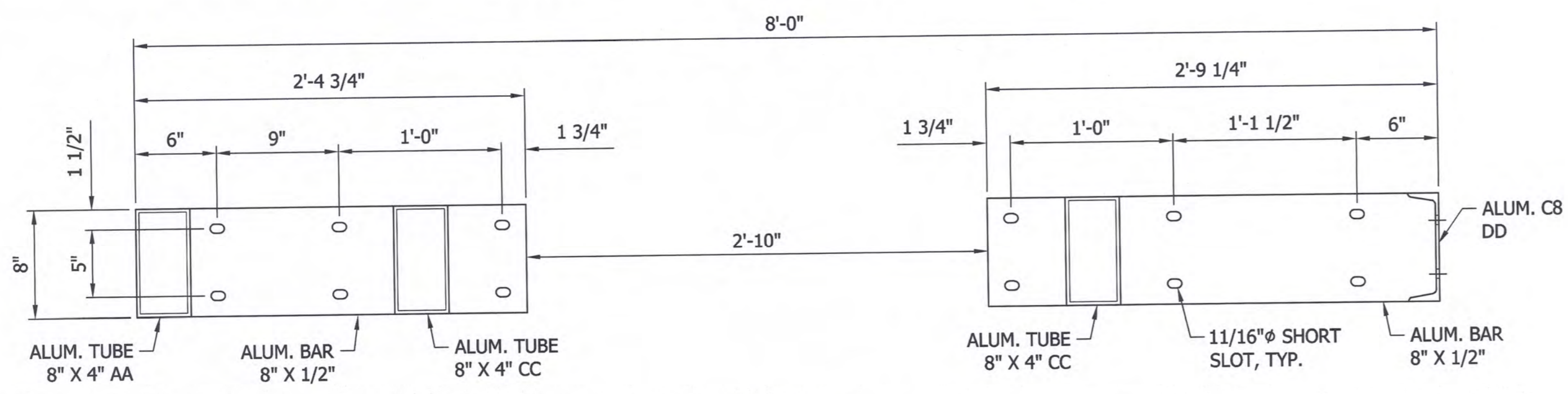
EXTENSION FRAME END BEAMS



RUBSTRIP AND FLOAT DRUM TO EXTENSION FRAME



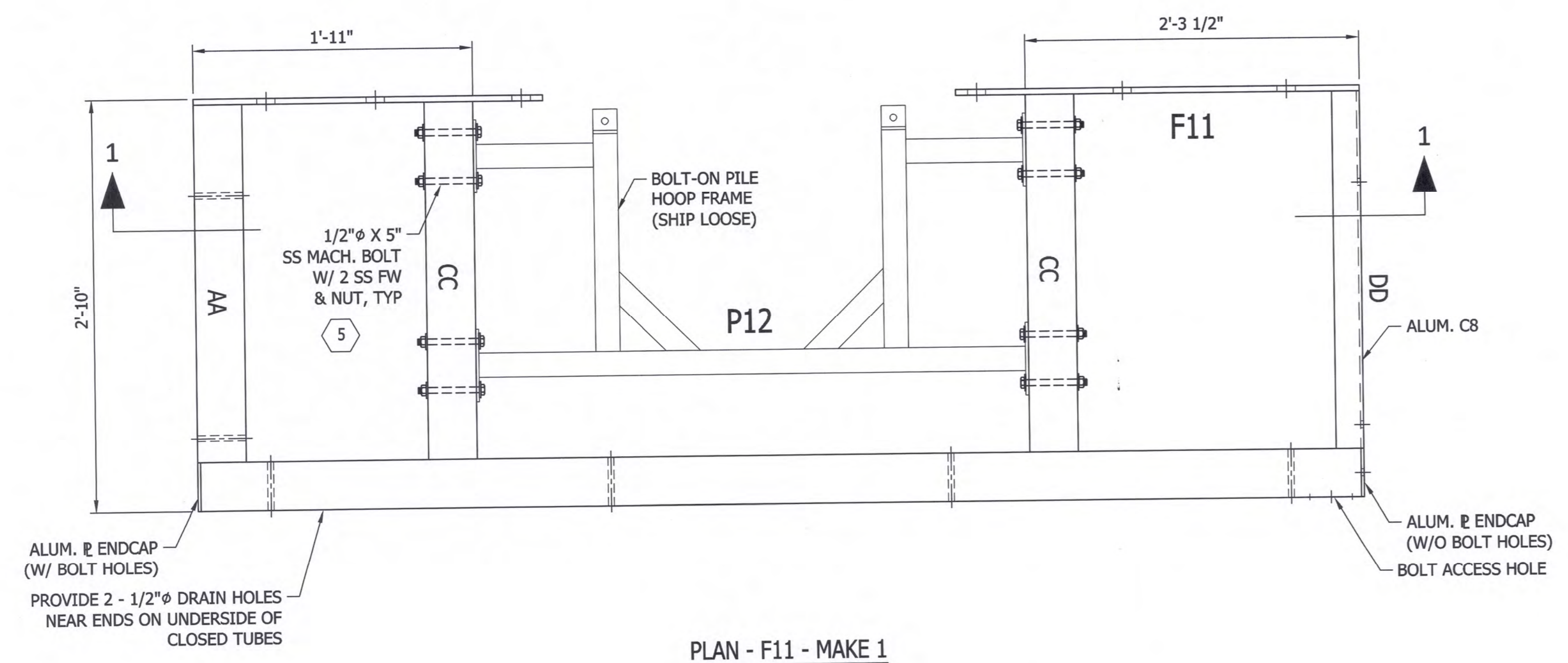
PILE HOOP DECK SUPPORTS TO EXTENSION FRAME



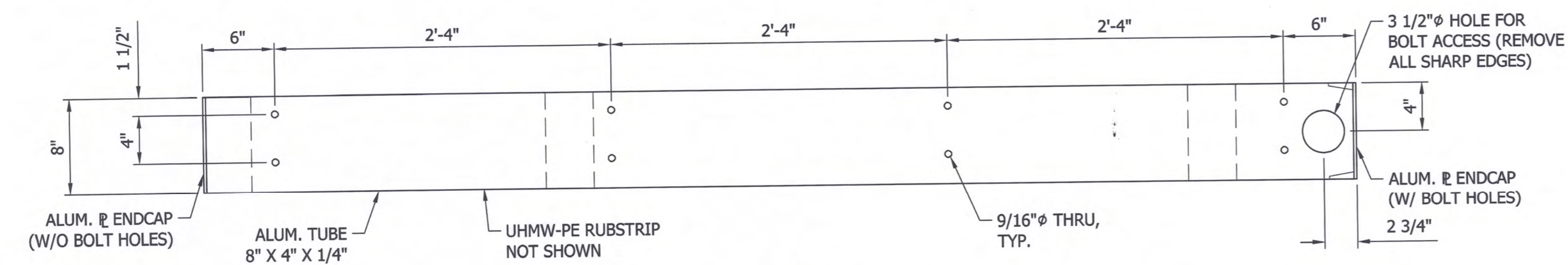
SECTION 1-1

'F11' MATERIALS LIST

ITEM	CODE	QUANT.	WT.
ALUM. BAR 8" X 1/2" X 2'-4 3/4"	-	1	11.2
ALUM. BAR 8" X 1/2" X 2'-9 1/4"	-	1	13.0
ALUM. TUBE 8" X 4" X 1/4" X 2'-5 1/2"	AA	1	16.6
ALUM. TUBE 8" X 4" X 1/4" X 2'-5 1/2"	CC	2	32.2
ALUM. C8 X 4.25# X 2'-5 1/2"	DD	1	10.4
ALUM. TUBE 8" X 4" X 1/4" X 8'-0"	-	1	54.1
ALUM. BAR 8" X 1/4" X 0'-4"	-	2	1.6
PILE HOOP FRAME	P12	1	12.6
1/2" X 5" SS BOLT, N, 2W	-	8	3.5
			155.2



PLAN - F11 - MAKE 1
FLOAT 1 ONSHORE END



FRONT

CAD NO.		
	DATE	
	APP.	
	INT.	
	NO.	
	REVISIONS	

ACTION	BY	DATE
DESIGNED	KDL	03/15/23
DRAWN	KDL	03/15/23
CHECKED (FIELD)		
CHECKED (HDQTS.)		



REGISTERED STAMP

WASHINGTON
STATE
PARKS
AND
RECREATION
COMMISSION



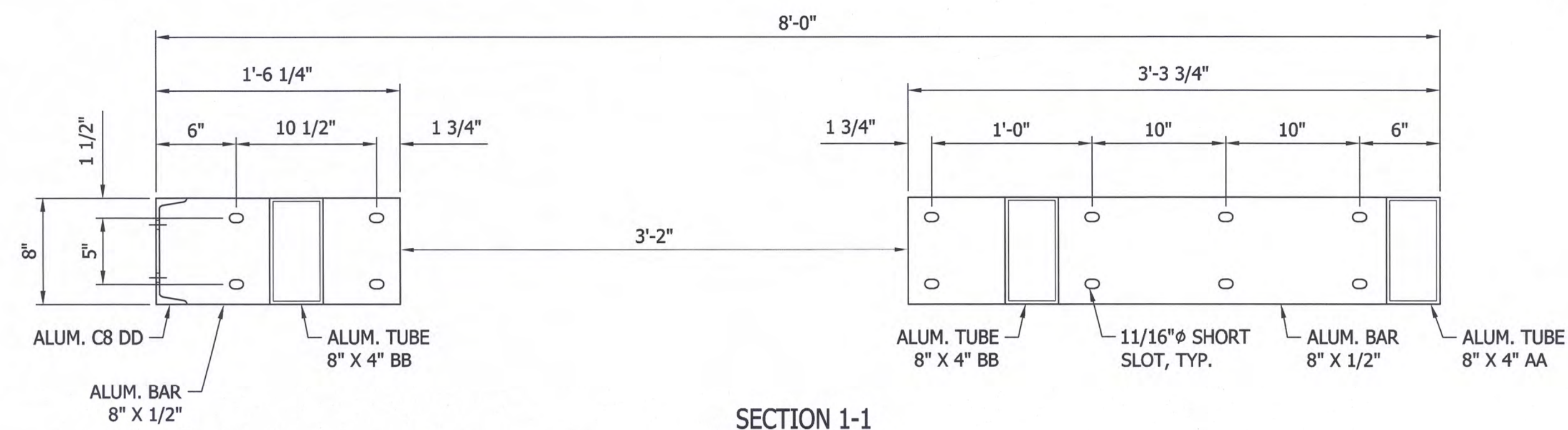
LAKE CHELAN
STATE PARK

FLOATS
EXTENSIONS

FLOAT FRAME
'F11'

SCALE
AS SHOWN

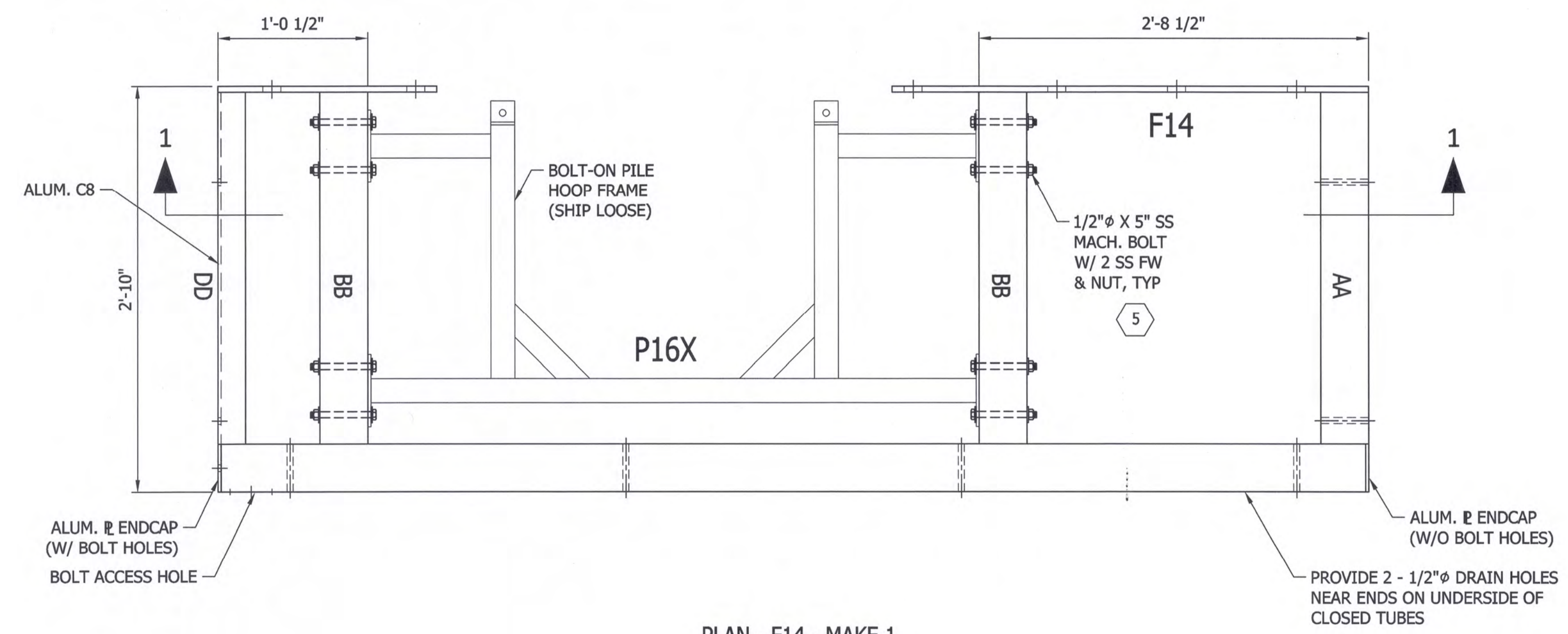
FILE NO.



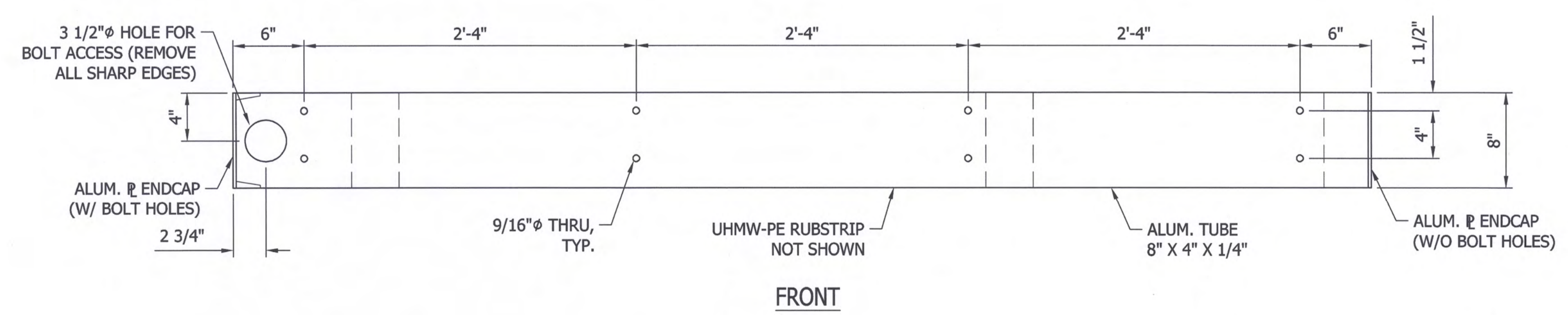
SECTION 1-1

'F14' MATERIALS LIST

ITEM	CODE	QUANT.	WT.
ALUM. BAR 8" X 1/2" X 1'-6 1/4"	-	1	7.1
ALUM. BAR 8" X 1/2" X 3'-3 3/4"	-	1	15.5
ALUM. TUBE 8" X 4" X 1/4" X 2'-5 1/2"	AA	1	16.6
ALUM. TUBE 8" X 4" X 1/4" X 2'-5 1/2"	BB	2	32.2
ALUM. C8 4.25# X 2'-5 1/2"	DD	1	10.4
ALUM. TUBE 8" X 4" X 1/4" X 8'-0"	-	1	54.1
ALUM. BAR 8" X 1/4" X 0'-4"	-	2	1.6
PILE HOOP FRAME	P16X	1	13.8
1/2" X 5" SS BOLT, N, 2W	-	8	3.5
			<hr/> 154.8



PLAN - F14 - MAKE 1
FLOAT 1 OFFSHORE END



FRONT

CAD NO.

NO.	REVISIONS	INT.	APP.	DATE

ACTION	BY	DATE
DESIGNED	KDL	03/15/23
DRAWN	KDL	03/15/23
CHECKED (FIELD)		
CHECKED (HDQTS.)		



REGISTERED STAMP

WASHINGTON
STATE
PARKS
AND
RECREATION
COMMISSION



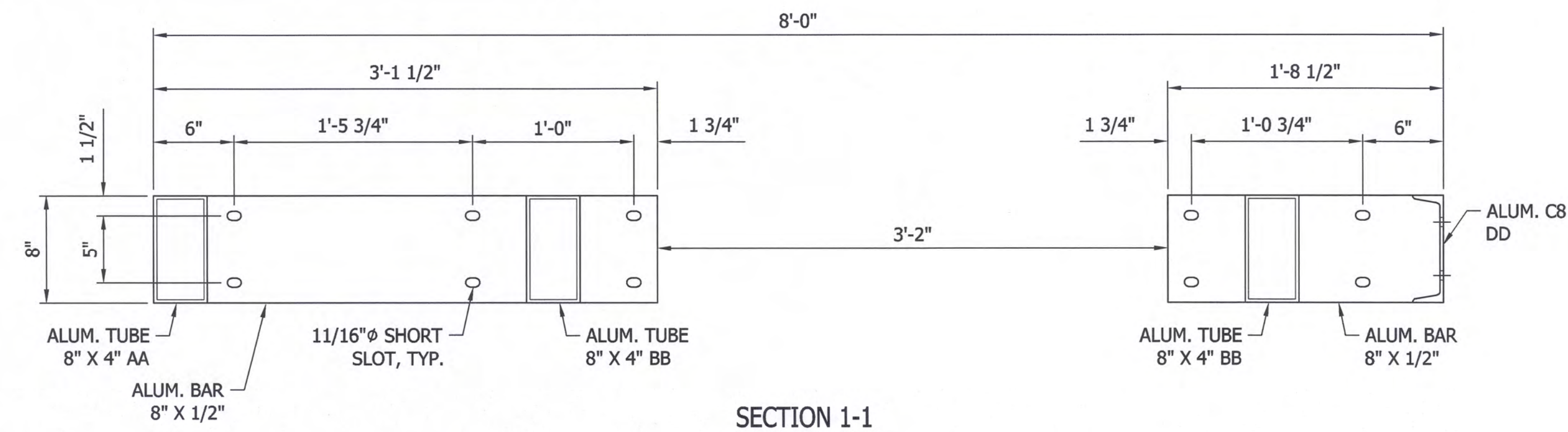
LAKE CHELAN
STATE PARK

FLOATS
EXTENSIONS

FLOAT FRAME
'F14'

SCALE
AS SHOWN

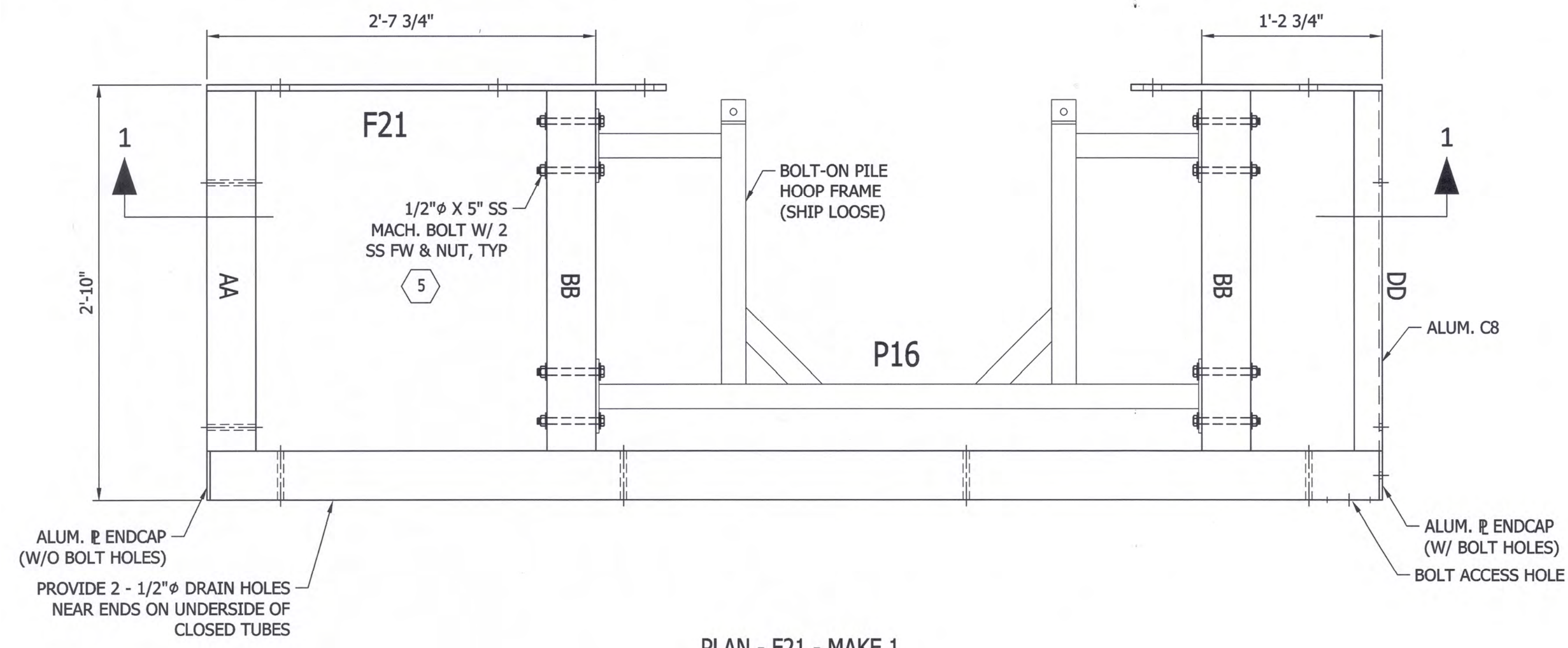
FILE NO.



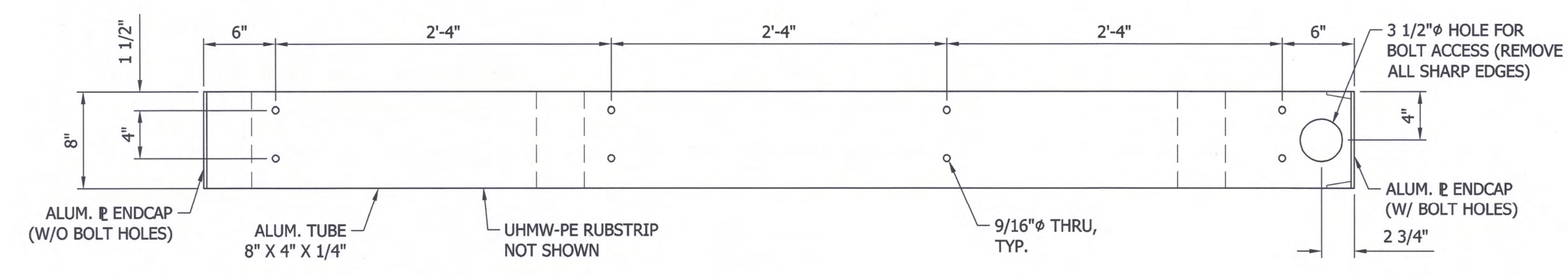
SECTION 1-1

F21 MATERIALS LIST

ITEM	CODE	QUANT.	WT.
ALUM. BAR 8" X 1/2" X 3'-1 1/2"	-	1	14.6
ALUM. BAR 8" X 1/2" X 1'-8 1/2"	-	1	8.0
ALUM. TUBE 8" X 4" X 1/4" X 2'-5 1/2"	AA	1	16.6
ALUM. TUBE 8" X 4" X 1/4" X 2'-5 1/2"	BB	2	32.2
ALUM. C8 X 4.25# X 2'-5 1/2"	DD	1	10.4
ALUM. TUBE 8" X 4" X 1/4" X 8'-0"	-	1	54.1
ALUM. BAR 8" X 1/4" X 0'-4"	-	2	1.6
PILE HOOP FRAME	P16	1	13.5
1/2" X 5" SS BOLT, N, 2W	-	8	3.5
			<hr/> 154.5



PLAN - F21 - MAKE 1
FLOAT 2 OFFSHORE END



FRONT

CAD NO.	
NO.	REVISIONS
INT.	APP.
DATE	

ACTION	BY	DATE
DESIGNED	KDL	03/15/23
DRAWN	KDL	03/15/23
CHECKED (FIELD)		
CHECKED (HDQTS.)		



WASHINGTON
STATE
PARKS
AND
RECREATION
COMMISSION

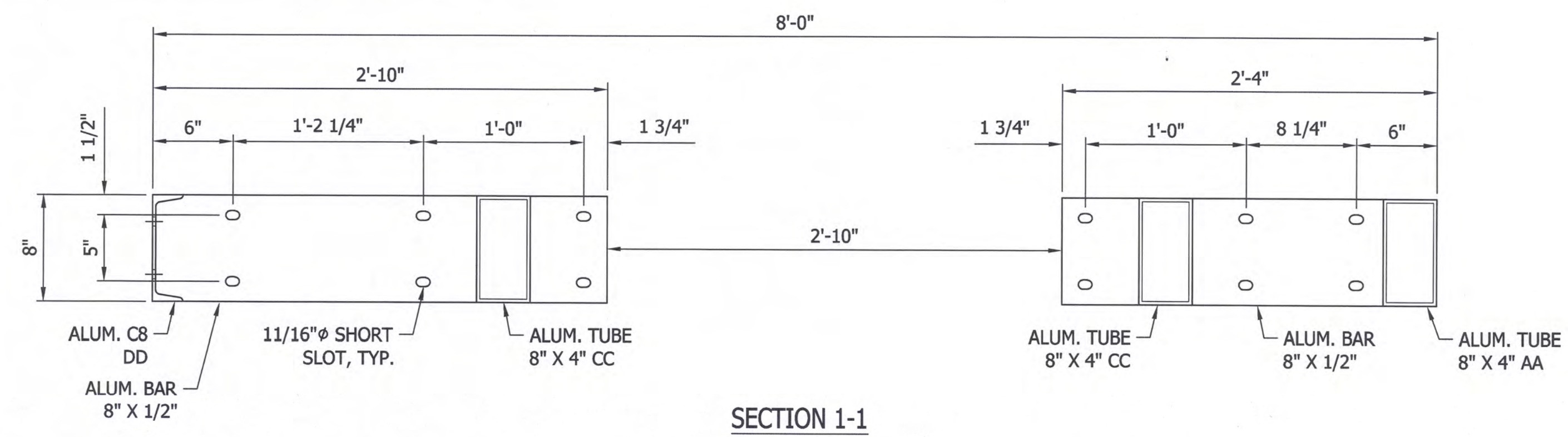
LAKE CHELAN
STATE PARK

FLOATS
EXTENSIONS

FLOAT FRAME
'F21'

SCALE
AS SHOWN

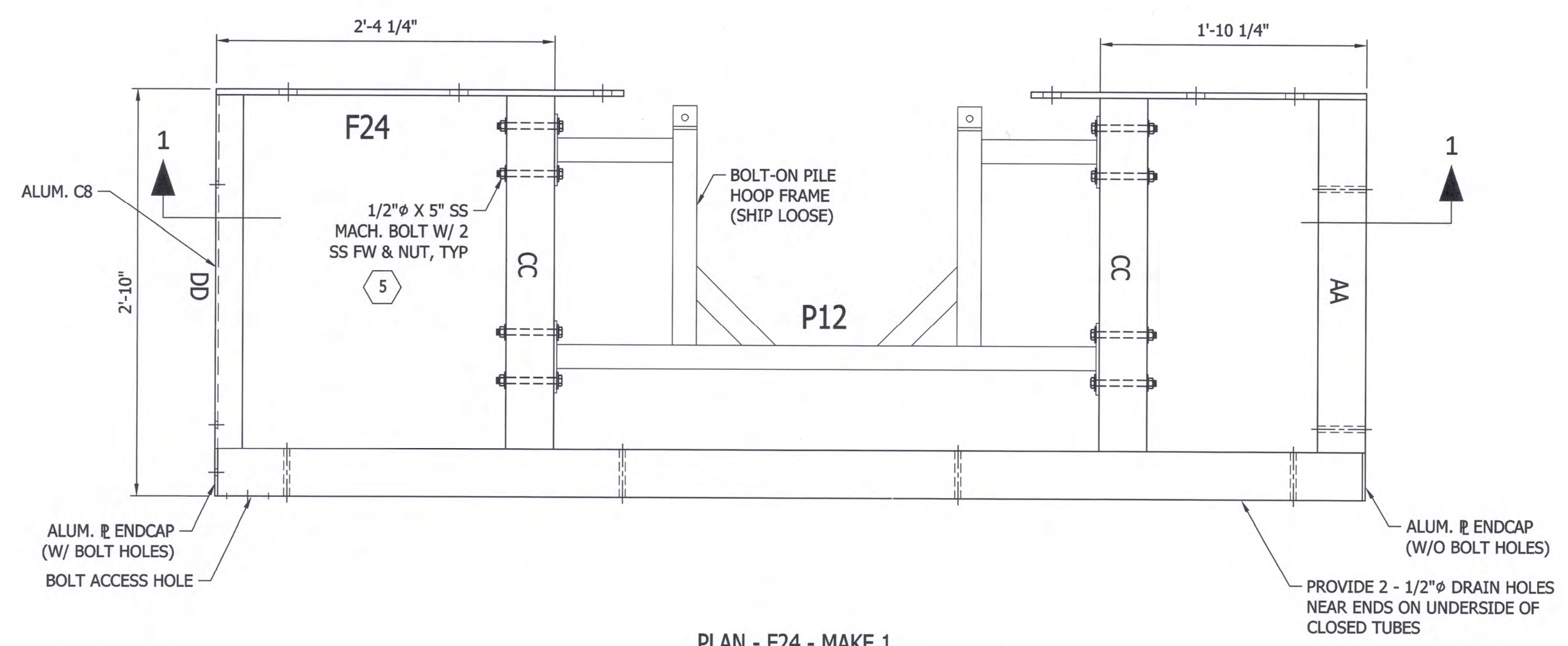
FILE NO.



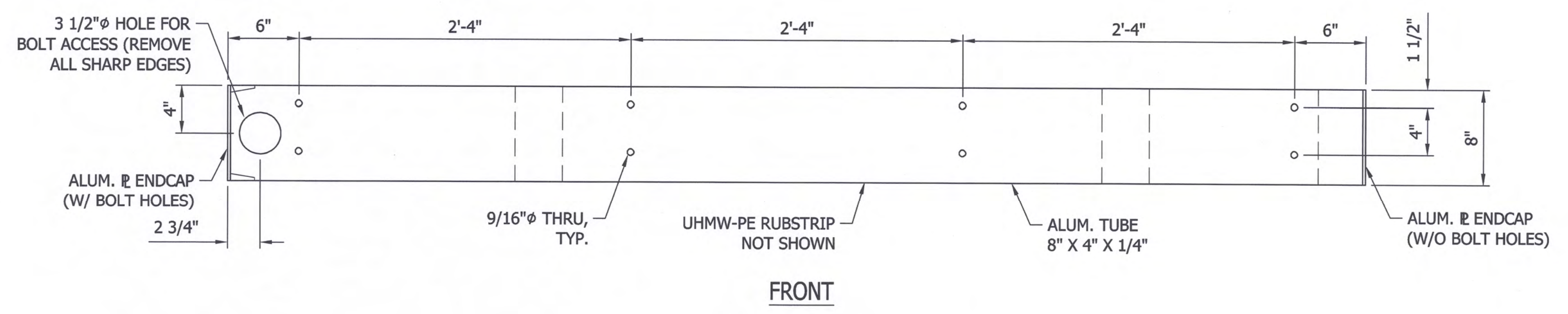
SECTION 1-1

'F24' MATERIALS LIST

ITEM	CODE	QUANT.	WT.
ALUM. BAR 8" X 1/2" X 2'-10"	-	1	13.3
ALUM. BAR 8" X 1/2" X 2'-4"	-	1	10.9
ALUM. TUBE 8" X 4" X 1/4" X 2'-5 1/2"	AA	1	16.6
ALUM. TUBE 8" X 4" X 1/4" X 2'-5 1/2"	CC	2	32.2
ALUM. C8 X 4.25# X 2'-5 1/2"	DD	1	10.4
ALUM. TUBE 8" X 4" X 8'-0"	-	1	54.1
ALUM. BAR 8" X 1/4" X 0'-4"	-	2	1.6
PILE HOOP FRAME	P12	1	12.6
1/2" X 5" SS BOLT, N, 2W	-	8	3.5
			<hr/> 155.2



PLAN - F24 - MAKE 1
FLOAT 2 ONSHORE END



FRONT

CAD NO.	
NO.	REVISIONS
APP.	DATE

ACTION	BY	DATE
DESIGNED	KDL	03/15/23
DRAWN	KDL	03/15/23
CHECKED (FIELD)		
CHECKED (HDQTS.)		



REGISTERED STAMP

WASHINGTON
STATE
PARKS
AND
RECREATION
COMMISSION

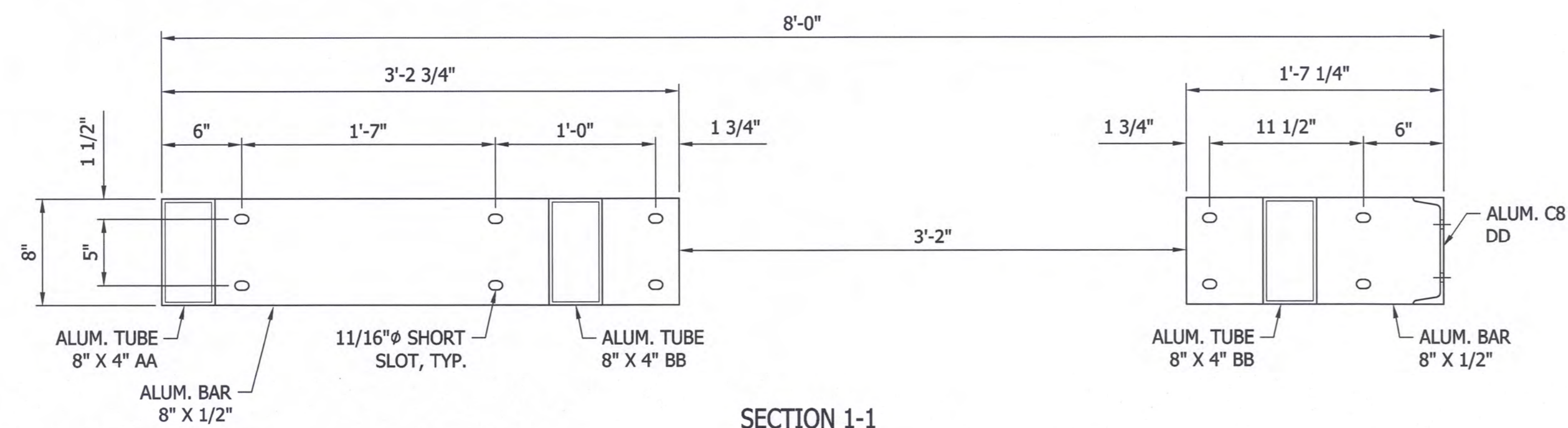
LAKE CHELAN
STATE PARK

FLOATS
EXTENSIONS

FLOAT FRAME
'F24'

SCALE
AS SHOWN

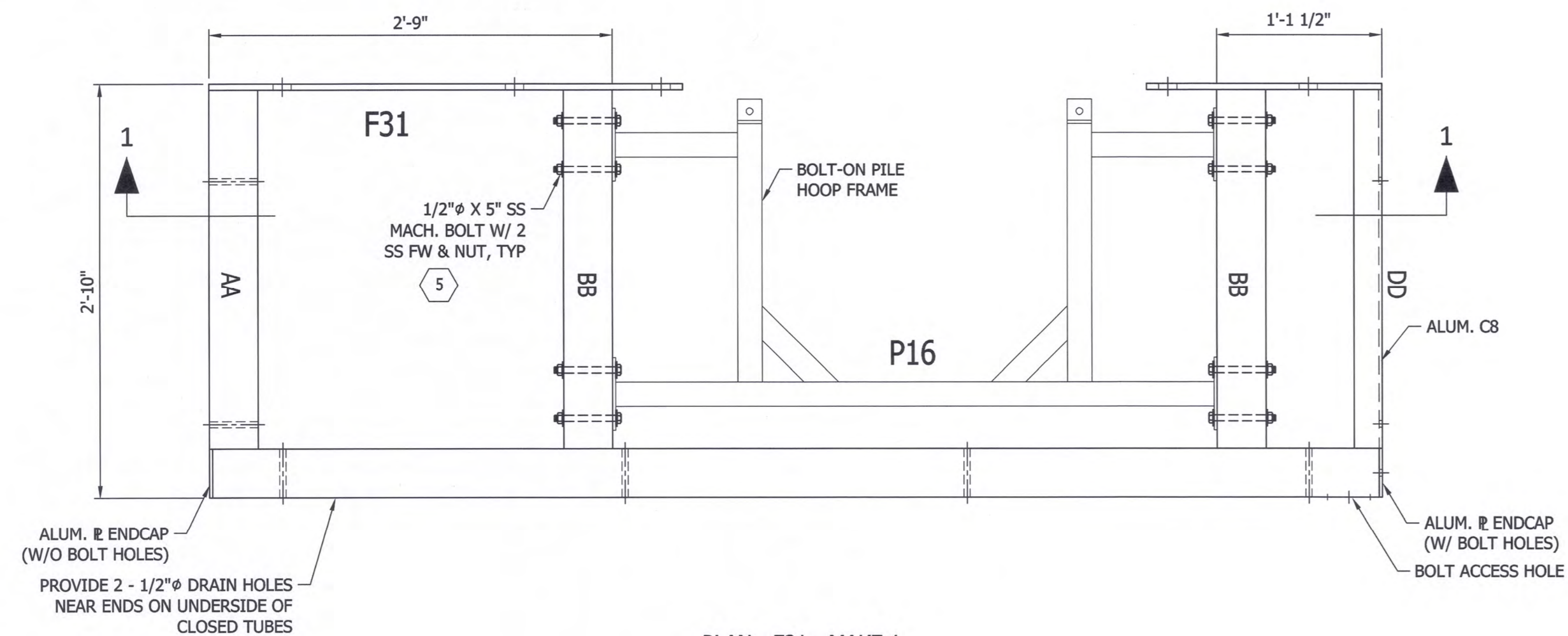
FILE NO.



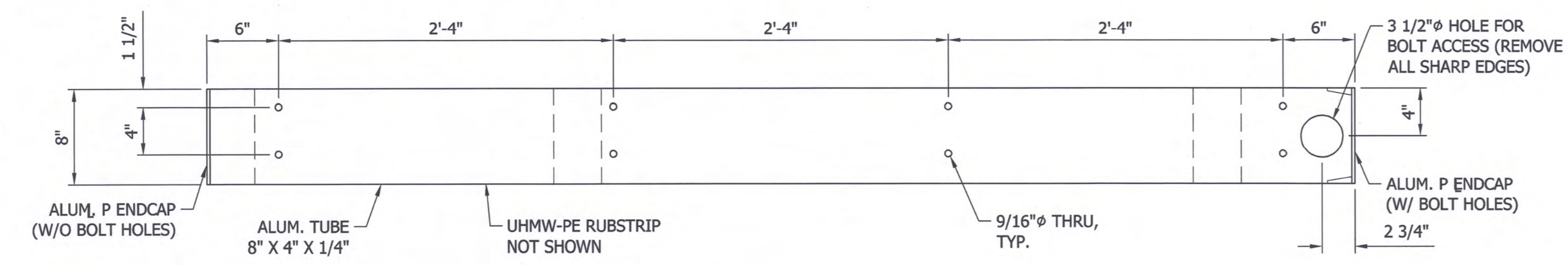
SECTION 1-1

'F31' MATERIALS LIST

ITEM	CODE	QUANT.	WT.
ALUM. BAR 8" X 1/2" X 3'-2 3/4"	-	1	15.1
ALUM. BAR 8" X 1/2" X 1'-7 1/4"	-	1	7.5
ALUM. TUBE 8" X 4" X 2'-5 1/2"	AA	1	16.6
ALUM. TUBE 8" X 4" X 2'-5 1/2"	BB	2	32.2
ALUM. C8 X 4.25# X 2'-5 1/2"	DD	1	10.4
ALUM. TUBE 8" X 4" X 8'-0"	-	1	54.1
ALUM. BAR 8" X 1/4" X 4"	-	2	1.6
PILE HOOP FRAME	P16	1	13.5
1/2" Ø X 5" SS BOLT, N, 2W	-	8	3.5
			<hr/> 154.5



PLAN - F31 - MAKE 1
FLOAT 3 OFFSHORE END



FRONT

CAD NO.

NO.	REVISIONS	INT.	APP.	DATE

ACTION	BY	DATE
DESIGNED	KDL	03/15/23
DRAWN	KDL	03/15/23
CHECKED (FIELD)		
CHECKED (HDQTS.)		



REGISTERED STAMP

WASHINGTON
STATE
PARKS
AND
RECREATION
COMMISSION



LAKE CHELAN
STATE PARK

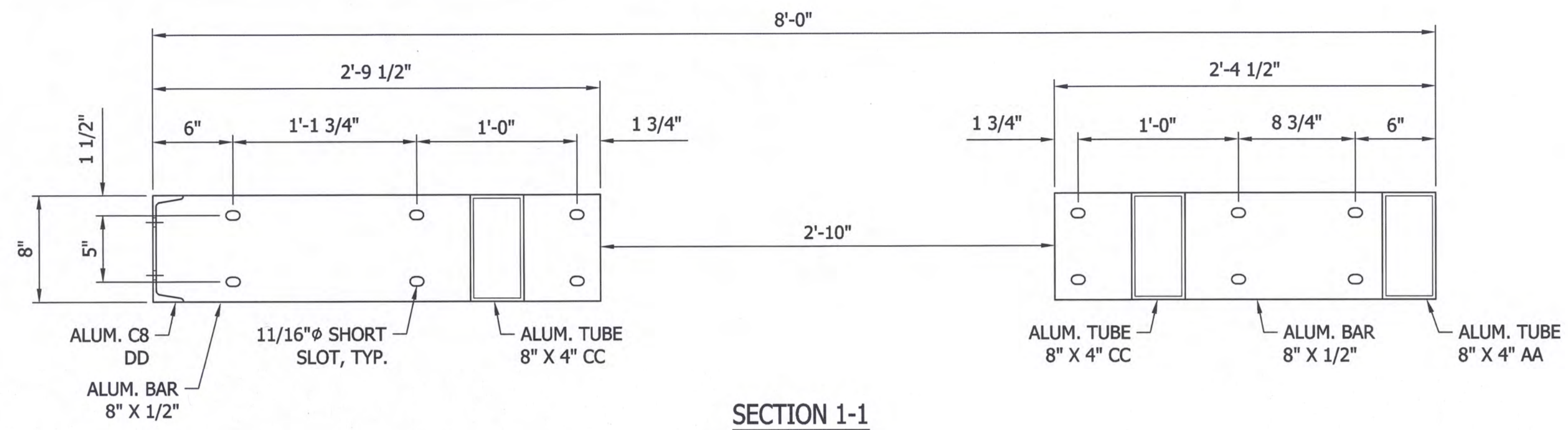
FLOATS
EXTENSIONS

FLOAT FRAME
'F31'

SCALE

AS SHOWN

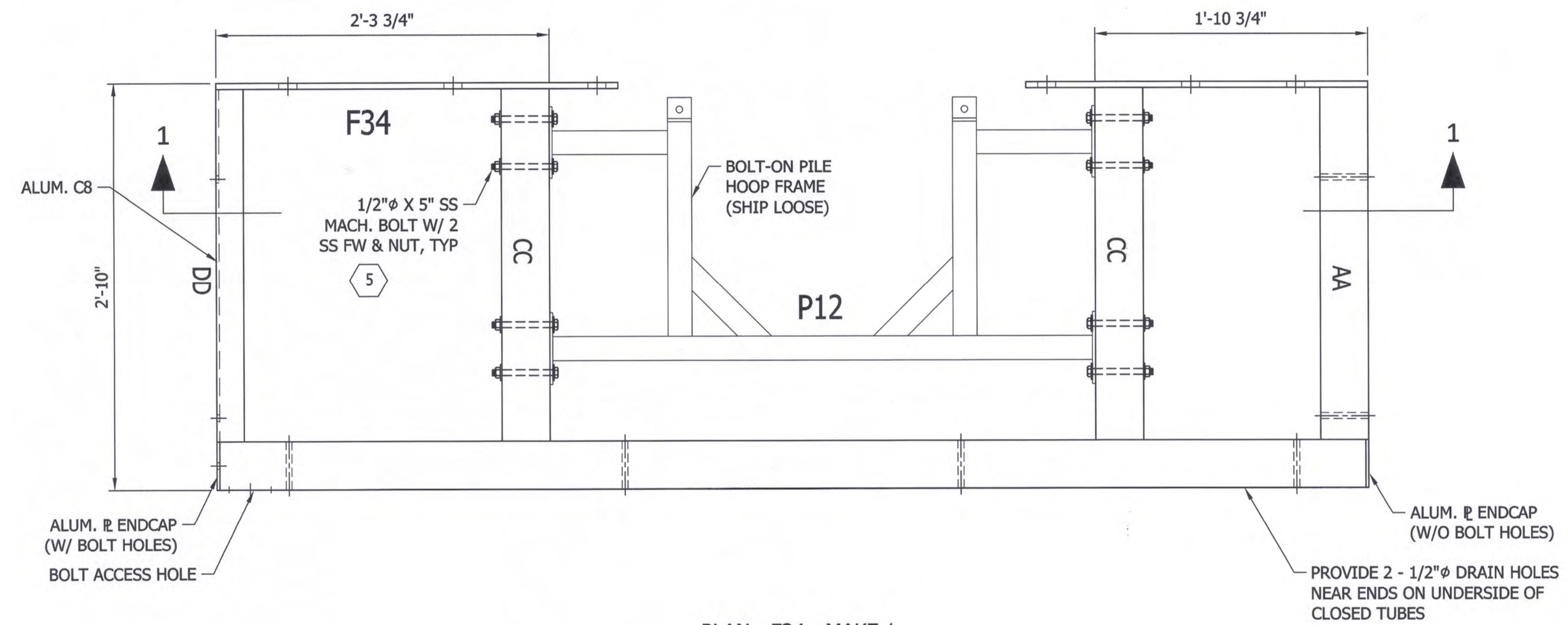
FILE NO.



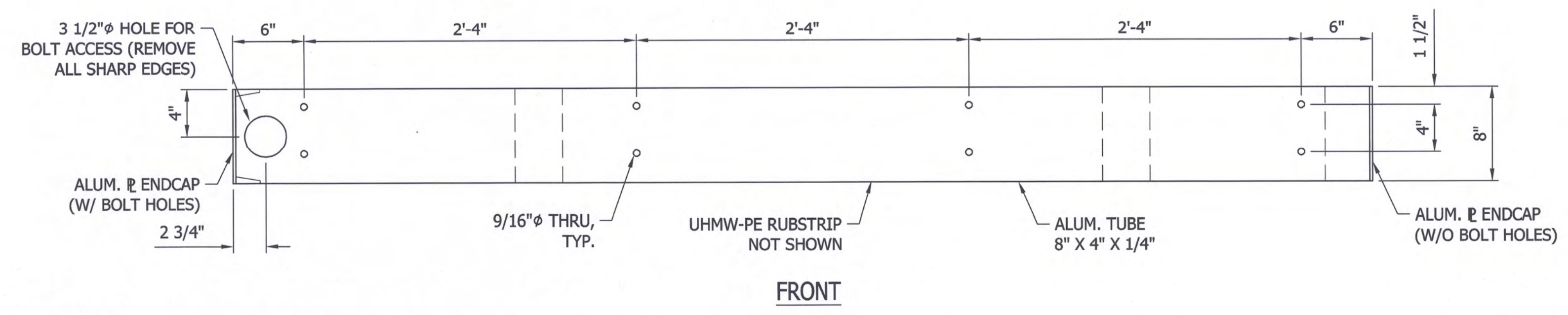
SECTION 1-1

'F34' MATERIALS LIST

ITEM	CODE	QUANT.	WT.
ALUM. BAR 8" X 1/2" X 2'-9 1/2"	-	1	13.1
ALUM. BAR 8" X 1/2" X 2'-4 1/2"	-	1	11.1
ALUM. TUBE 8" X 4" X 1/4" X 2'-5 1/2"	AA	1	16.6
ALUM. TUBE 8" X 4" X 1/4" X 2'-5 1/2"	CC	2	32.2
ALUM. C8 X 4.25# X 2'-5 1/2"	DD	1	10.4
ALUM. TUBE 8" X 4" X 8'-0"	-	1	54.1
ALUM. BAR 8" X 1/4" X 0'-4"	-	2	1.6
PILE HOOP FRAME	P12	1	12.6
1/2" X 5" SS BOLT, N, 2W	-	8	3.5
			155.2



PLAN - F34 - MAKE 1
FLOAT 3 ONSHORE END



FRONT

CAD NO.

NO.	REVISIONS	INT.	APP.	DATE

ACTION	BY	DATE
DESIGNED	KDL	03/15/23
DRAWN	KDL	03/15/23
CHECKED (FIELD)		
CHECKED (HDQTS.)		



WASHINGTON STATE PARKS AND RECREATION COMMISSION



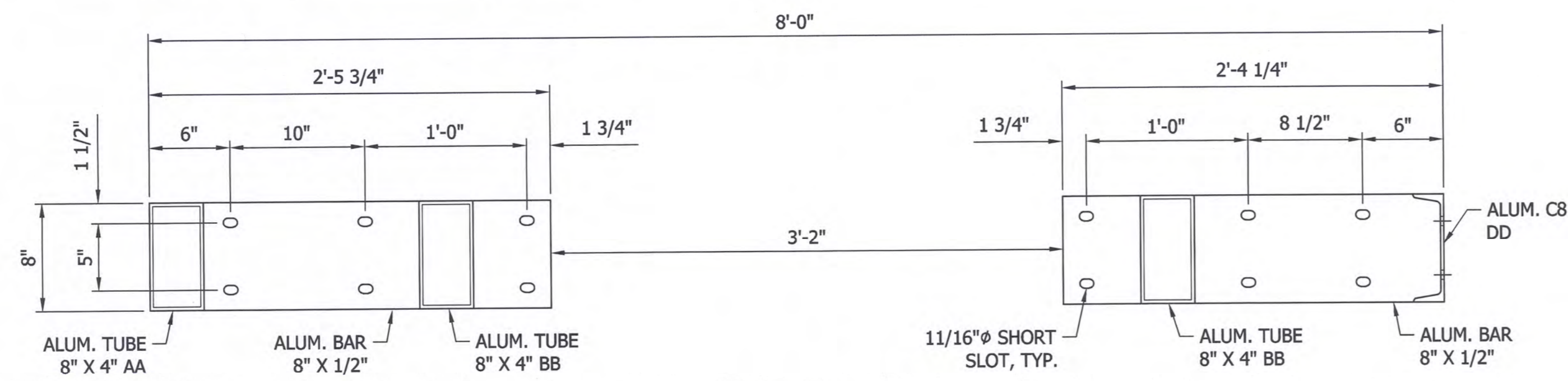
LAKE CHELAN STATE PARK

FLOATS EXTENSIONS

FLOAT FRAME 'F34'

SCALE AS SHOWN

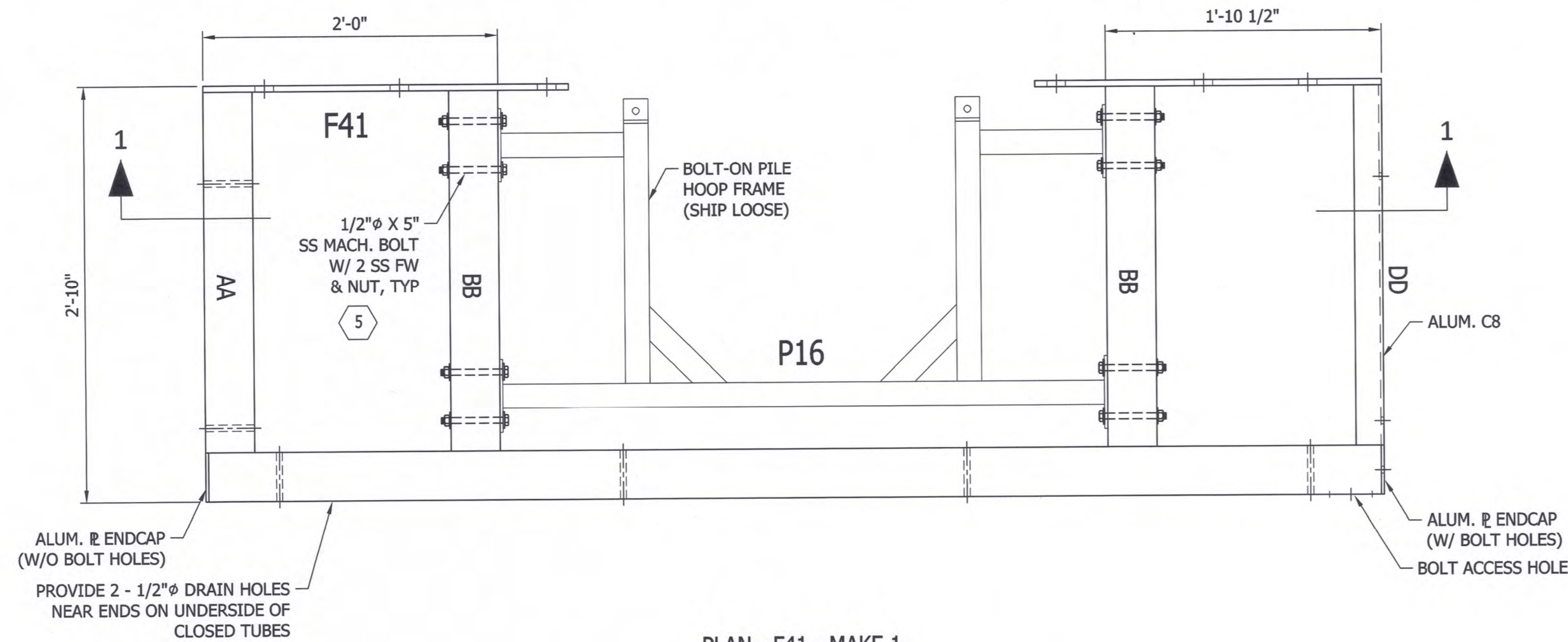
FILE NO.



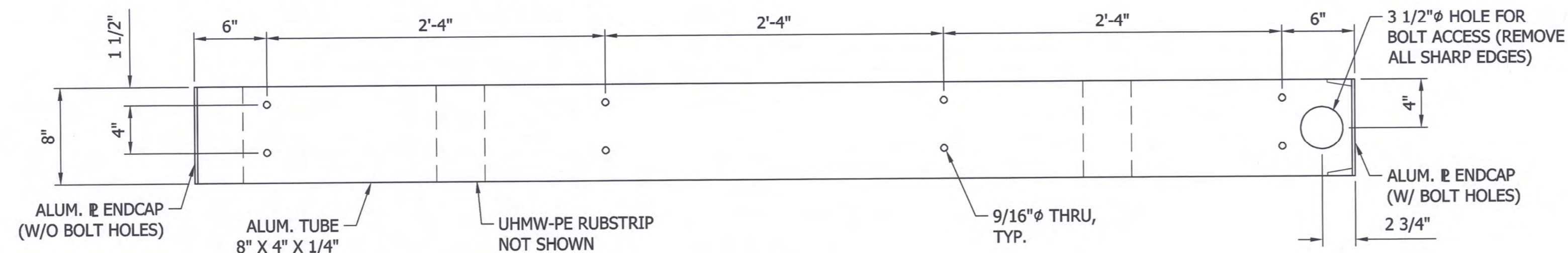
SECTION 1-1

'F41' MATERIALS LIST

ITEM	CODE	QUANT.	WT.
ALUM. BAR 8" X 1/2" X 2'-5 3/4"	-	1	11.6
ALUM. BAR 8" X 1/2" X 2'-4 1/4"	-	1	11.0
ALUM. TUBE 8" X 4" X 1/4" X 2'-5 1/2"	AA	1	16.6
ALUM. TUBE 8" X 4" X 1/4" X 2'-5 1/2"	BB	2	32.2
ALUM. C8" X 4.25# X 2'-5 1/2"	DD	1	10.4
ALUM. TUBE 8" X 4" X 8'-0"	-	1	54.1
ALUM. BAR 8" X 1/4" X 0'-4"	-	2	1.6
PILE HOOP FRAME	P16	1	13.5
1/2" X 5" SS BOLT, N, 2W	-	8	3.5
			<hr/>
			154.5



PLAN - F41 - MAKE 1
FLOAT 4 OFFSHORE END



FRONT

CAD NO.

NO.	REVISIONS	INT.	APP.	DATE

ACTION	BY	DATE
DESIGNED	KDL	03/15/23
DRAWN	KDL	03/15/23
CHECKED (FIELD)		
CHECKED (HDQTS.)		



REGISTERED STAMP

WASHINGTON
STATE
PARKS
AND
RECREATION
COMMISSION



LAKE CHELAN
STATE PARK

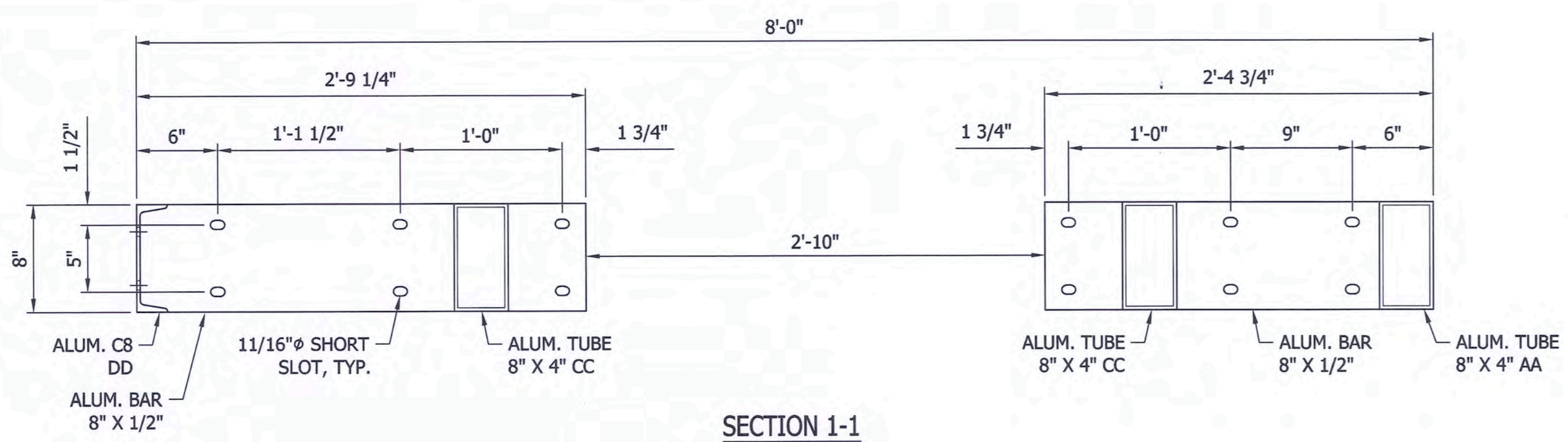
FLOATS
EXTENSIONS

FLOAT FRAME
'F41'

SCALE

AS SHOWN

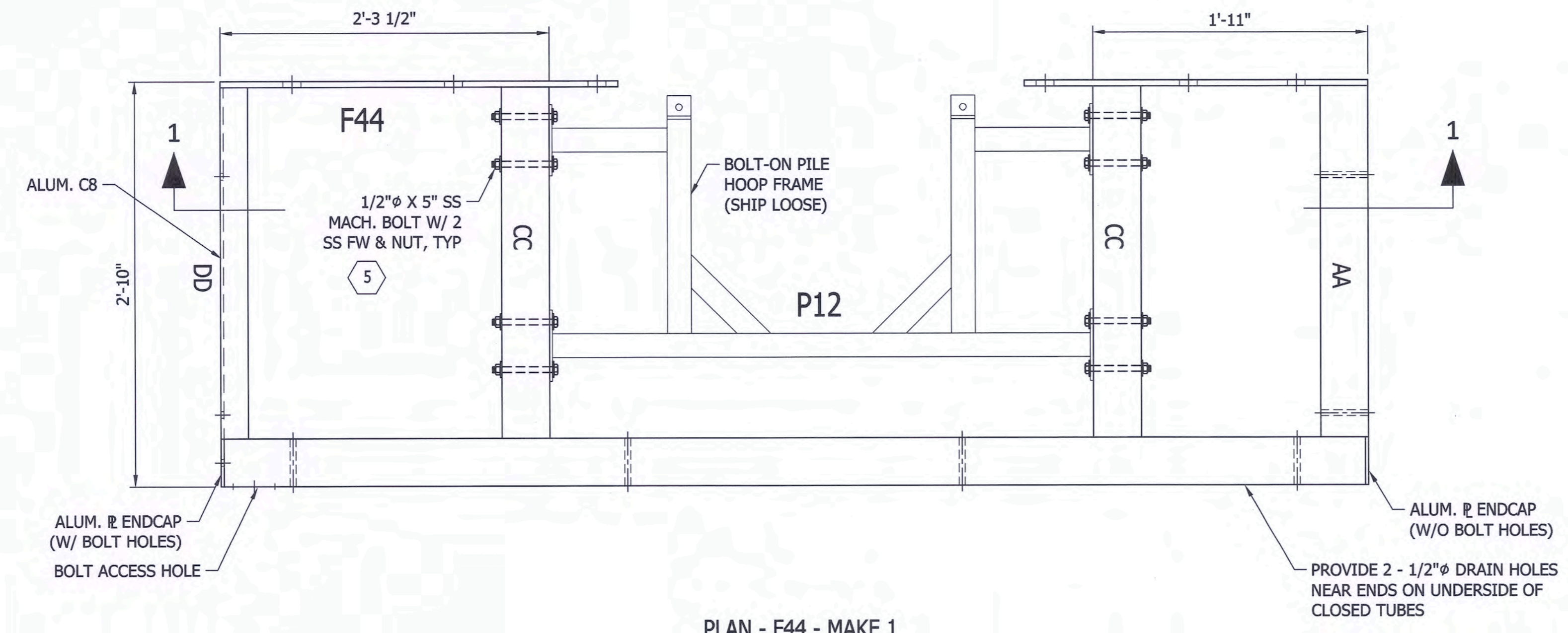
FILE NO.



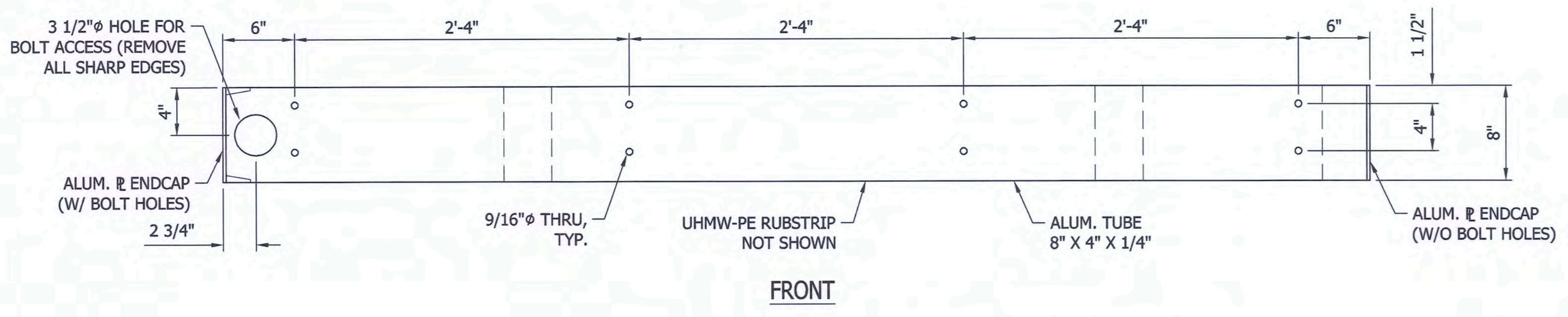
SECTION 1-1

F44' MATERIALS LIST

ITEM	CODE	QUANT.	WT.
ALUM. BAR 8" X 1/2" X 2'-9 1/4"	-	1	13.0
ALUM. BAR 8" X 1/2" X 2'-4 3/4"	-	1	11.2
ALUM. TUBE 8" X 4" X 1/4" X 2'-5 1/2"	AA	1	16.6
ALUM. TUBE 8" X 4" X 1/4" X 2'-5 1/2"	CC	2	32.2
ALUM. C8" X 4.25# X 2'-5 1/2"	DD	1	10.4
ALUM. TUBE 8" X 4" X 8'-0"	-	1	54.1
ALUM. BAR 8" X 1/4" X 0'-4"	-	2	1.6
PILE HOOP FRAME	P12	1	12.6
1/2" X 5" SS BOLT, N, 2W	-	8	3.5
			<hr/> 155.2



PLAN - F44 - MAKE 1
FLOAT 4 ONSHORE END



FRONT

CAD NO.

NO.	REVISIONS	INT.	APP.	DATE

ACTION	BY	DATE
DESIGNED	KDL	03/15/23
DRAWN	KDL	03/15/23
CHECKED (FIELD)		
CHECKED (HDQTS.)		



REGISTERED STAMP

WASHINGTON STATE PARKS AND RECREATION COMMISSION

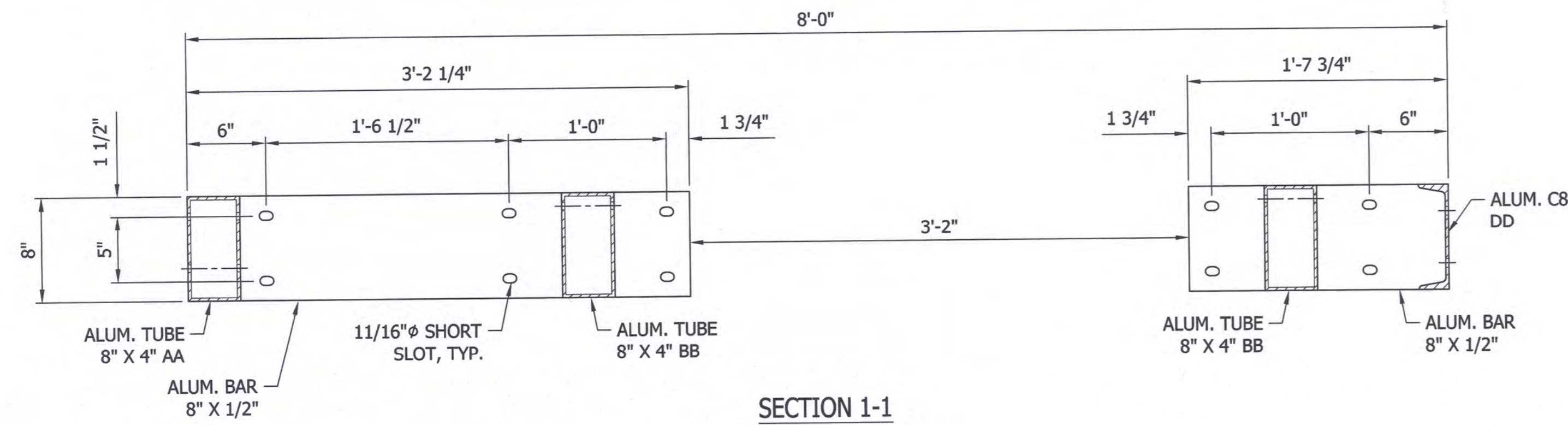
LAKE CHELAN STATE PARK

FLOATS EXTENSIONS

FLOAT FRAME 'F44'

SCALE AS SHOWN

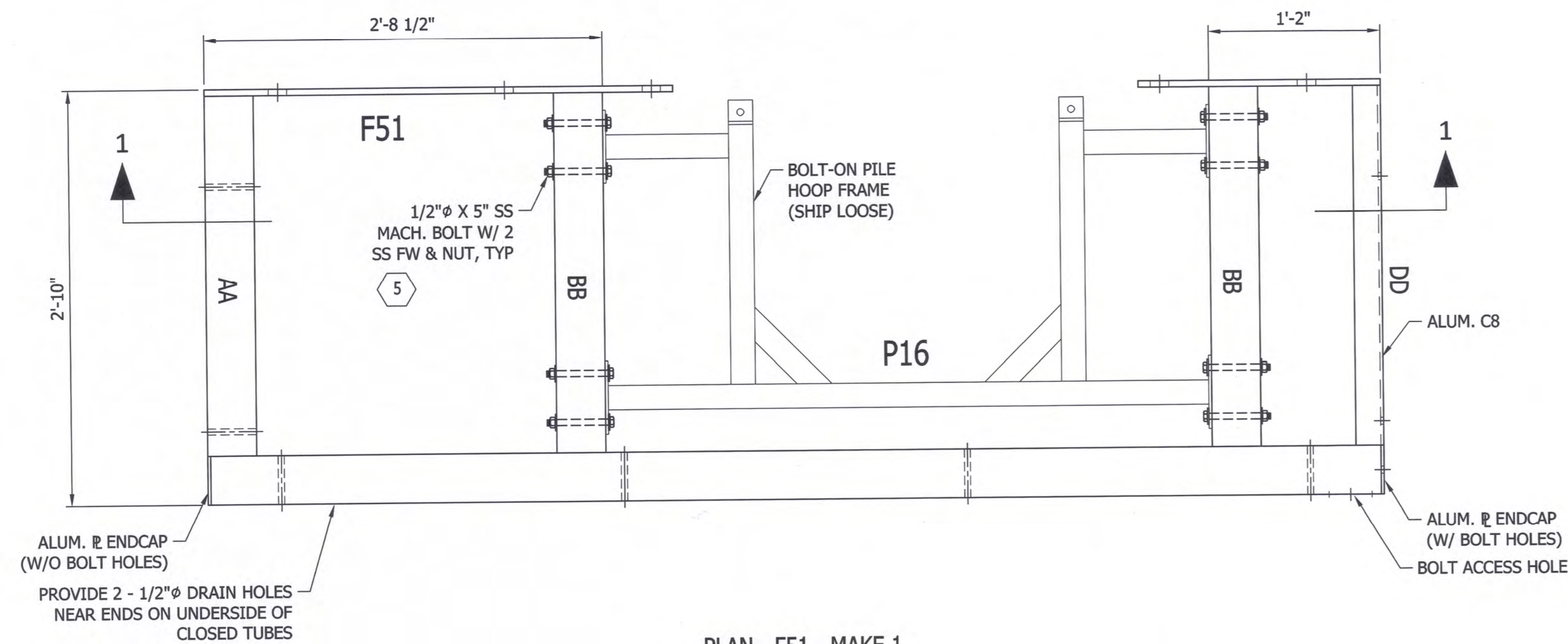
FILE NO.



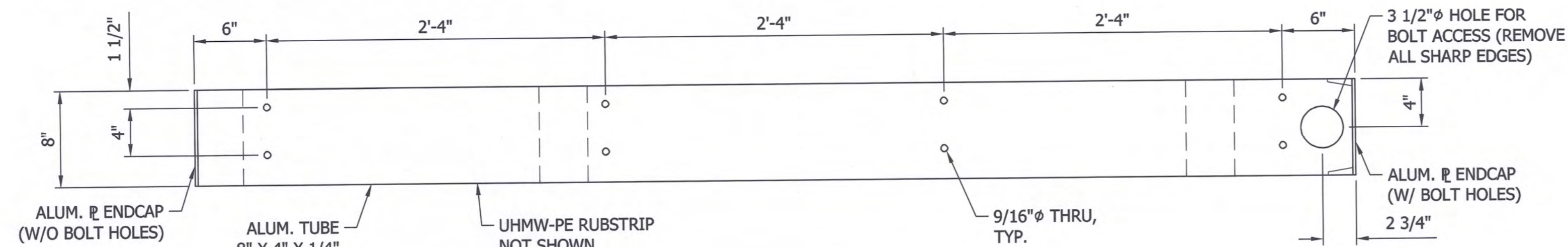
SECTION 1-1

'F51' MATERIALS LIST

ITEM	CODE	QUANT.	WT.
ALUM. BAR 8" X 1/2" X 3'-2 1/4"	-	1	14.9
ALUM. BAR 8" X 1/2" X 1'-7 3/4"	-	1	7.7
ALUM. TUBE 8" X 4" X 1/4" X 2'-5 1/2"	AA	1	16.6
ALUM. TUBE 8" X 4" X 1/4" X 2'-5 1/2"	BB	2	32.2
ALUM. C8" X 4.25# X 2'-5 1/2"	DD	1	10.4
ALUM. TUBE 8" X 4" X 8'-0"	-	1	54.1
ALUM. BAR 8" X 1/4" X 0'-4"	-	2	1.6
PILE HOOP FRAME	P16	1	13.5
1/2" X 5" SS BOLT, N, 2W	-	8	3.5
			<hr/> 154.5



PLAN - F51 - MAKE 1
FLOAT 5 OFFSHORE END



FRONT

CAD NO.

DATE	APP.	INT.	REVISIONS	NO.

ACTION	BY	DATE
DESIGNED	KDL	03/15/23
DRAWN	KDL	03/15/23
CHECKED (FIELD)		
CHECKED (HDQTS.)		



REGISTERED STAMP

WASHINGTON
STATE
PARKS
AND
RECREATION
COMMISSION



LAKE CHELAN
STATE PARK

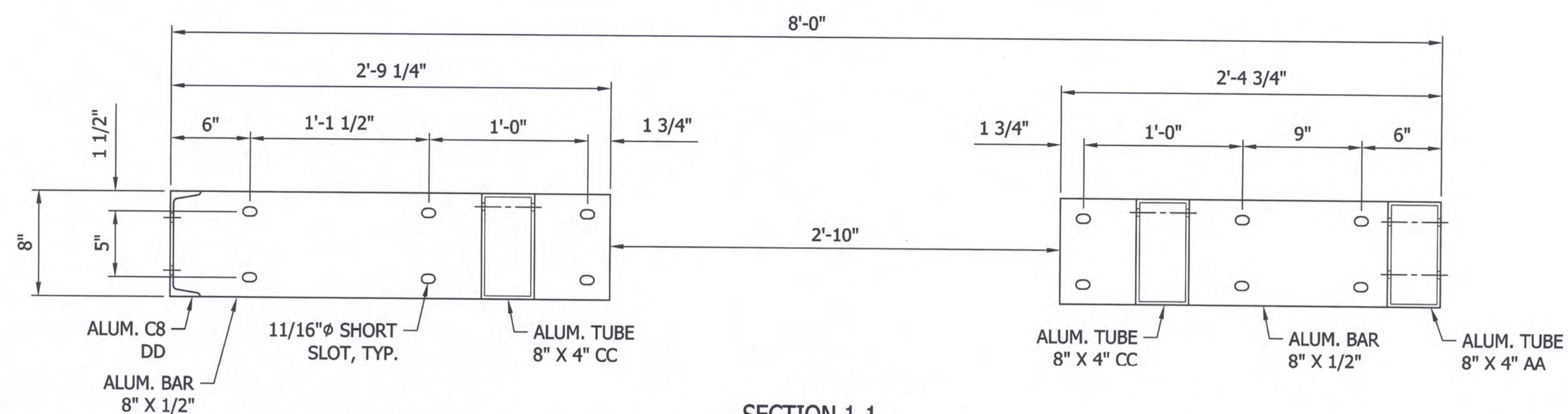
FLOATS
EXTENSIONS

FLOAT FRAME
'F51'

SCALE

AS SHOWN

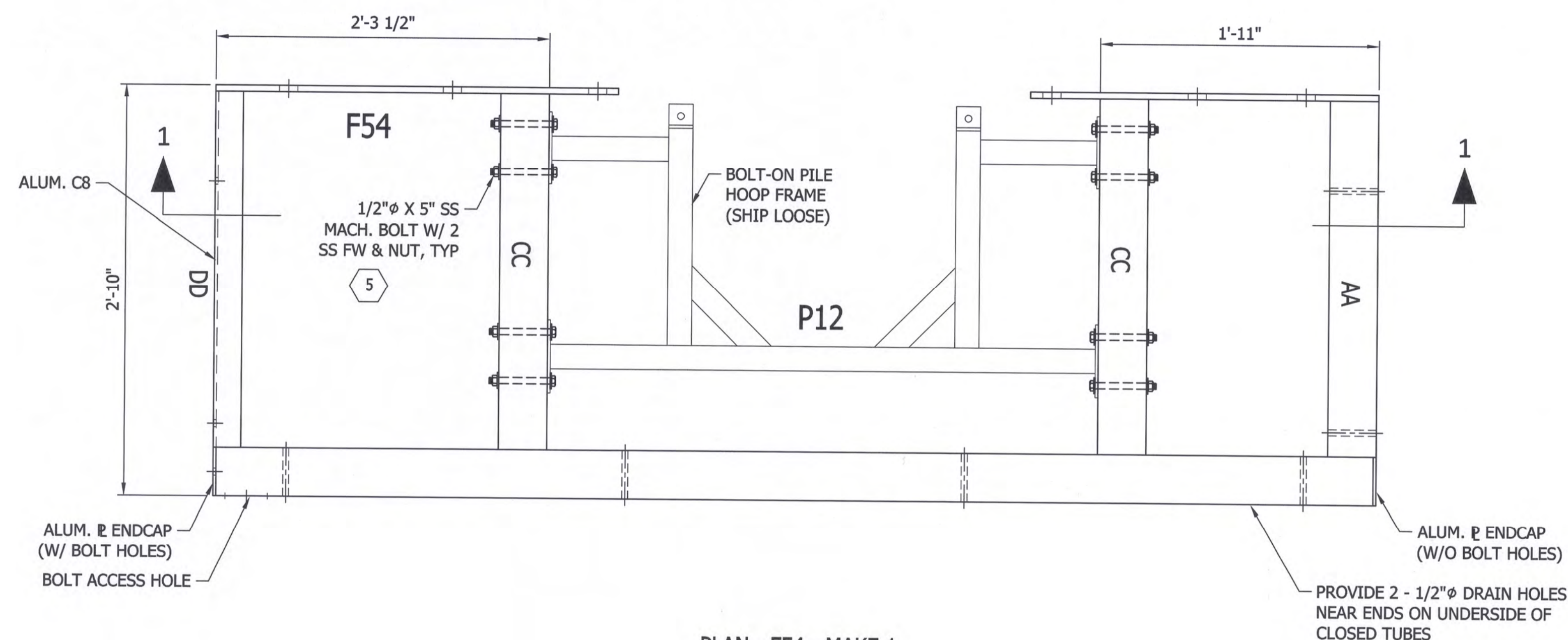
FILE NO.



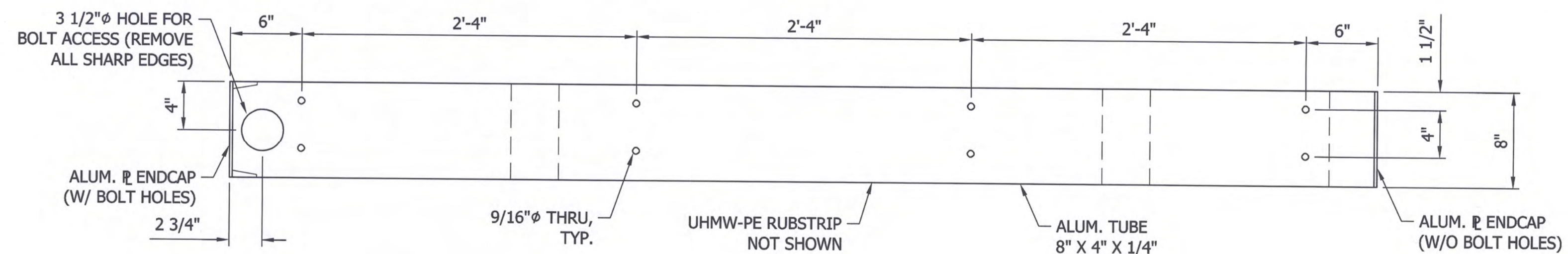
SECTION 1-1

'F54' MATERIALS LIST

ITEM	CODE	QUANT.	WT.
ALUM. BAR 8" X 1/2" X 2'-9 1/4"	-	1	13.0
ALUM. BAR 8" X 1/2" X 2'-4 3/4"	-	1	11.2
ALUM. TUBE 8" X 4" X 1/4" X 2'-5 1/2"	AA	1	16.6
ALUM. TUBE 8" X 4" X 1/4" X 2'-5 1/2"	CC	2	32.2
ALUM. C8" X 4.25# X 2'-5 1/2"	DD	1	10.4
ALUM. TUBE 8" X 4" X 8'-0"	-	1	54.1
ALUM. BAR 8" X 1/4" X 0'-4"	-	2	1.6
PILE HOOP FRAME	P12	1	12.6
1/2" X 5" SS BOLT, N, 2W	-	8	3.5
			155.2



PLAN - F54 - MAKE 1
FLOAT 5 ONSHORE END



FRONT

CAD NO.	
DATE	APP.
INT.	NO.
REVISIONS	

ACTION	BY	DATE
DESIGNED	KDL	03/15/23
DRAWN	KDL	03/15/23
CHECKED (FIELD)		
CHECKED (HQTS.)		



REGISTERED STAMP

WASHINGTON
STATE
PARKS
AND
RECREATION
COMMISSION



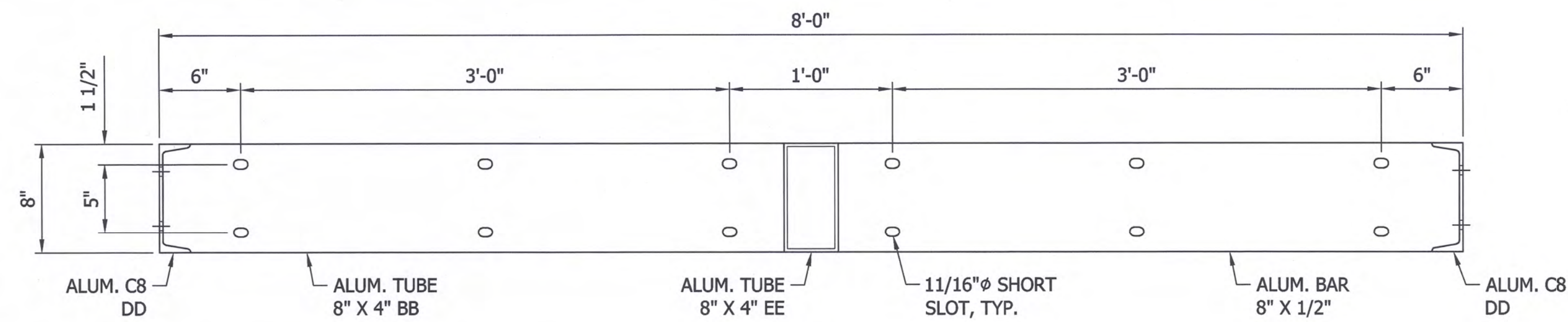
LAKE CHELAN
STATE PARK

FLOATS
EXTENSIONS

FLOAT FRAME
'F54'

SCALE
AS SHOWN

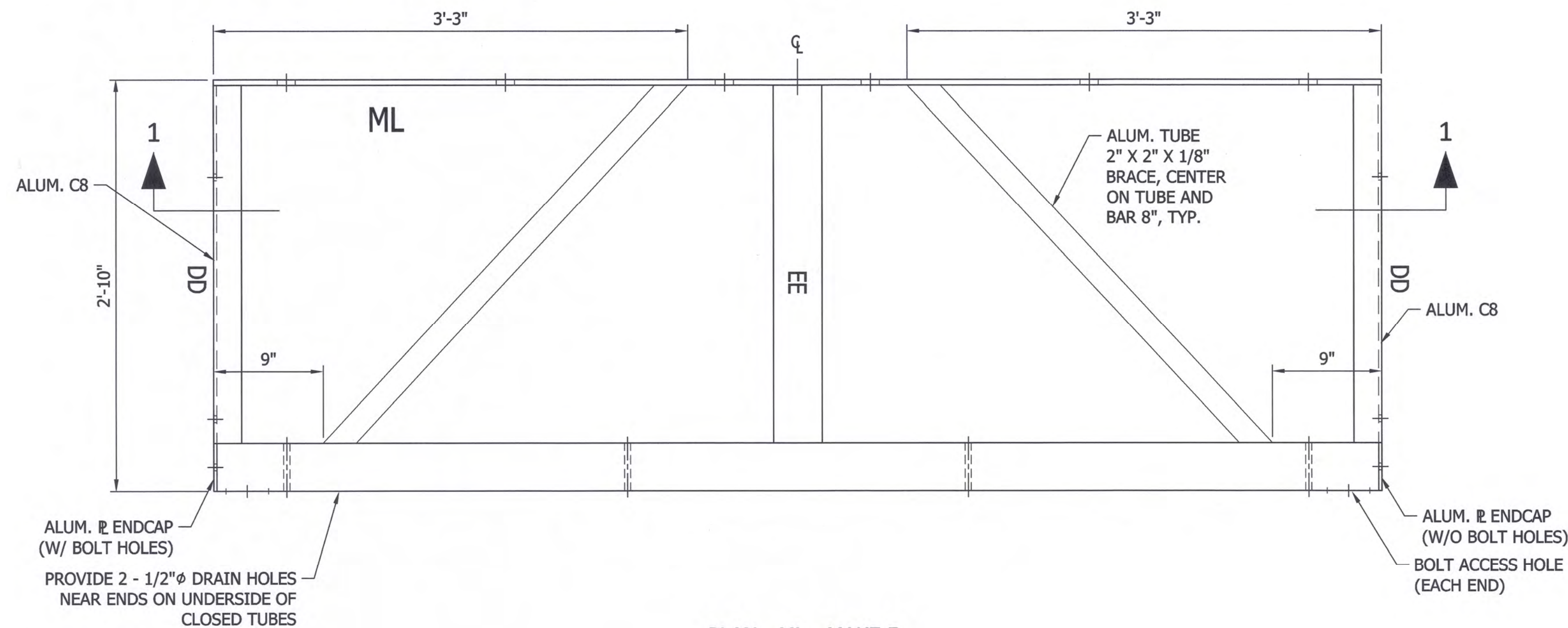
FILE NO.



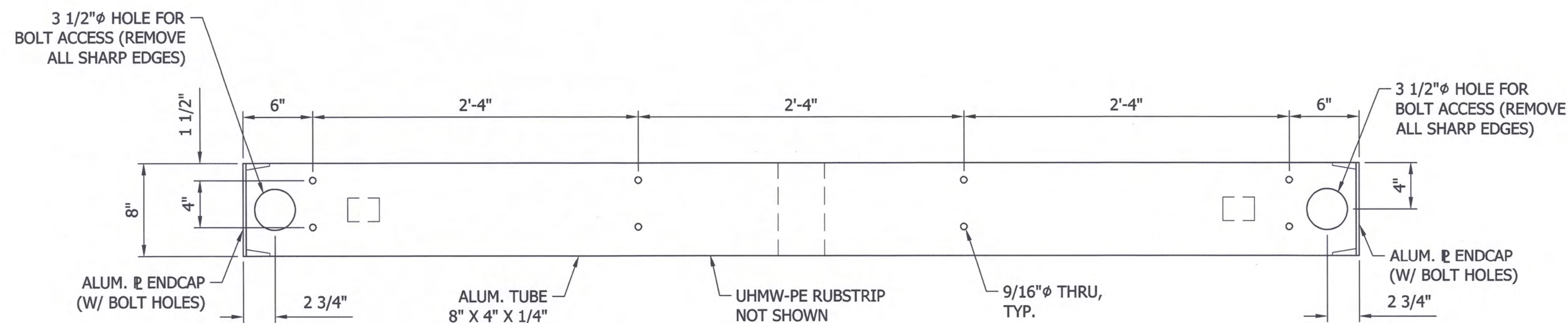
SECTION 1-1

'ML' MATERIALS LIST

ITEM	CODE	QUANT.	WT.
ALUM. BAR 8" X 1/2" X 8'-0"	-	1	37.4
ALUM. TUBE 8" X 4" X 1/4" X 2'-5 1/2"	EE	1	16.6
ALUM. C8 X 4.25# X 1/4" X 2'-5 1/2"	DD	2	20.8
ALUM. TUBE 2" X 2" X 1/8" X 3'-6"	BRACE	2	7.8
ALUM. TUBE 8" X 4" X 8'-0"	-	1	54.1
ALUM. BAR 8" X 1/4" X 0'-4"	-	2	1.6
			138.3



PLAN - ML - MAKE 5
ONE PER FLOAT



FRONT

CAD NO.

NO.	REVISIONS	INT.	APP.	DATE

ACTION	BY	DATE
DESIGNED	KDL	03/15/23
DRAWN	KDL	03/15/23
CHECKED (FIELD)		
CHECKED (HDQTS.)		



REGISTERED STAMP

WASHINGTON
STATE
PARKS
AND
RECREATION
COMMISSION



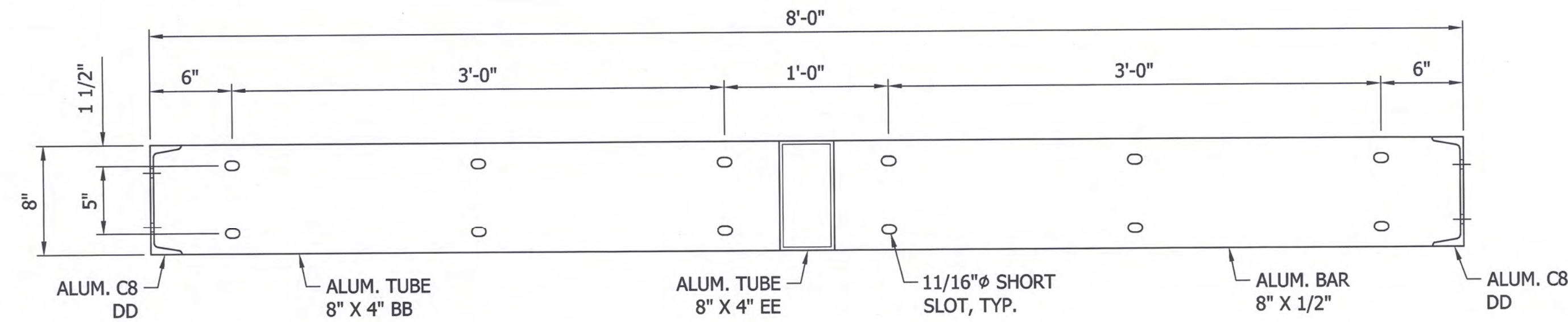
LAKE CHELAN
STATE PARK

FLOATS
EXTENSIONS

FLOAT FRAME
'ML'

SCALE
AS SHOWN

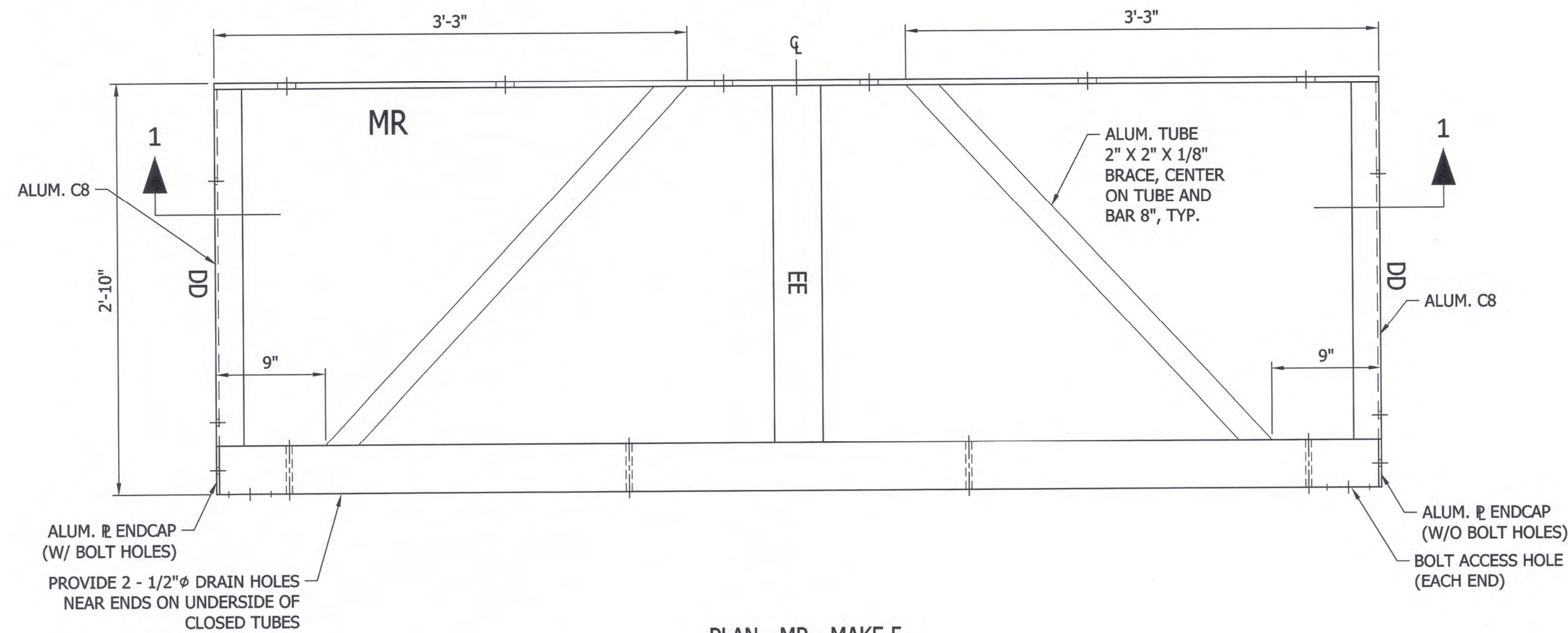
FILE NO.



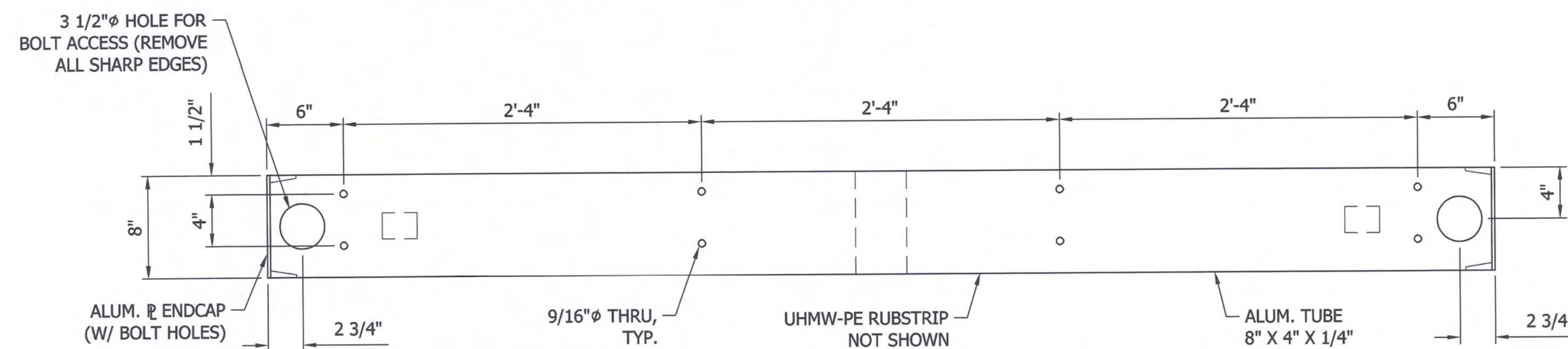
SECTION 1-1

'MR' MATERIALS LIST

ITEM	CODE	QUANT.	WT.
ALUM. BAR 8" X 1/2" X 8'-0"	-	1	37.4
ALUM. TUBE 8" X 4" X 1/4" X 2'-5 1/2"	EE	1	16.6
ALUM. C8" X 4.25# X 1/4" X 2'-5 1/2"	DD	2	20.8
ALUM. TUBE 2" X 2" X 1/8" X 3'-6"	BRACE	2	7.8
ALUM. TUBE 8" X 4" X 8'-0"	-	1	54.1
ALUM. BAR 8" X 1/4" X 0'-4"	-	2	1.6
			138.3



PLAN - MR - MAKE 5
ONE PER FLOAT



FRONT

CAD NO.

NO.	REVISIONS	INT.	APP.	DATE

ACTION	BY	DATE
DESIGNED	KDL	03/15/23
DRAWN	KDL	03/15/23
CHECKED (FIELD)		
CHECKED (HDQTS.)		



REGISTERED STAMP

WASHINGTON
STATE
PARKS
AND
RECREATION
COMMISSION



LAKE CHELAN
STATE PARK

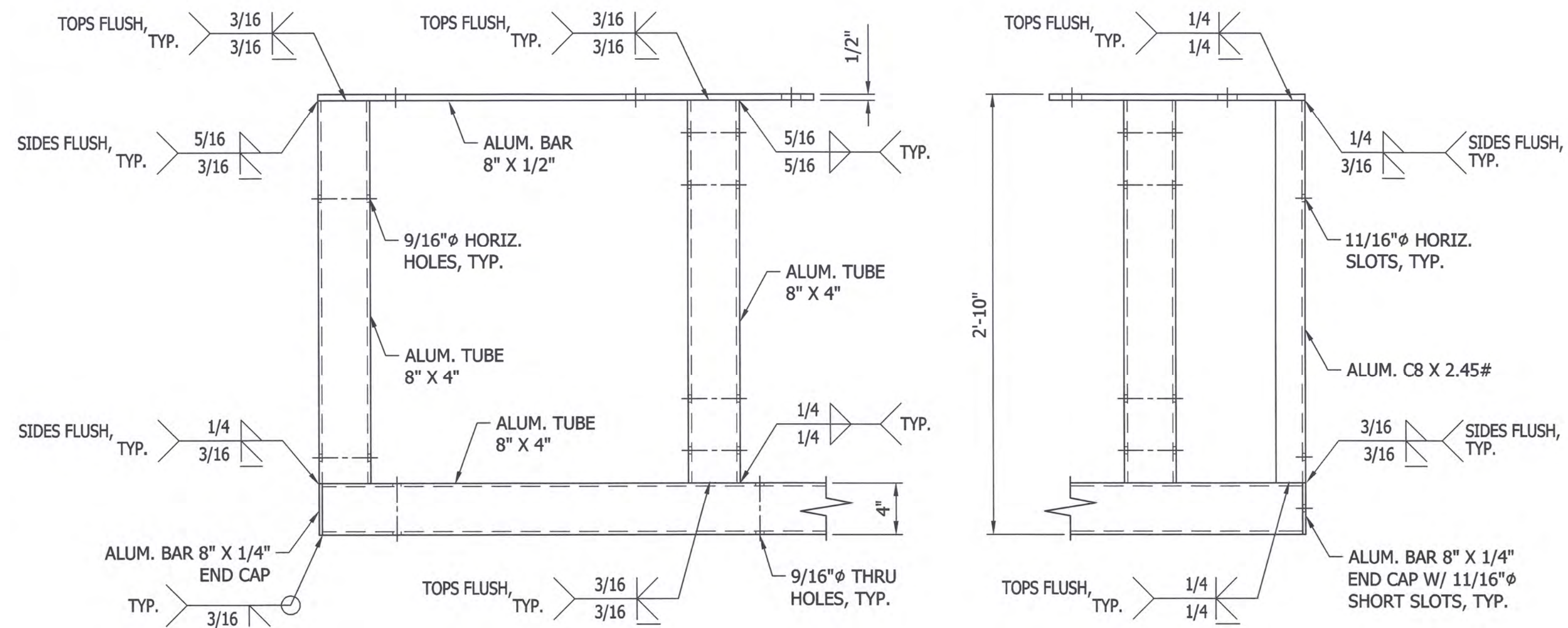
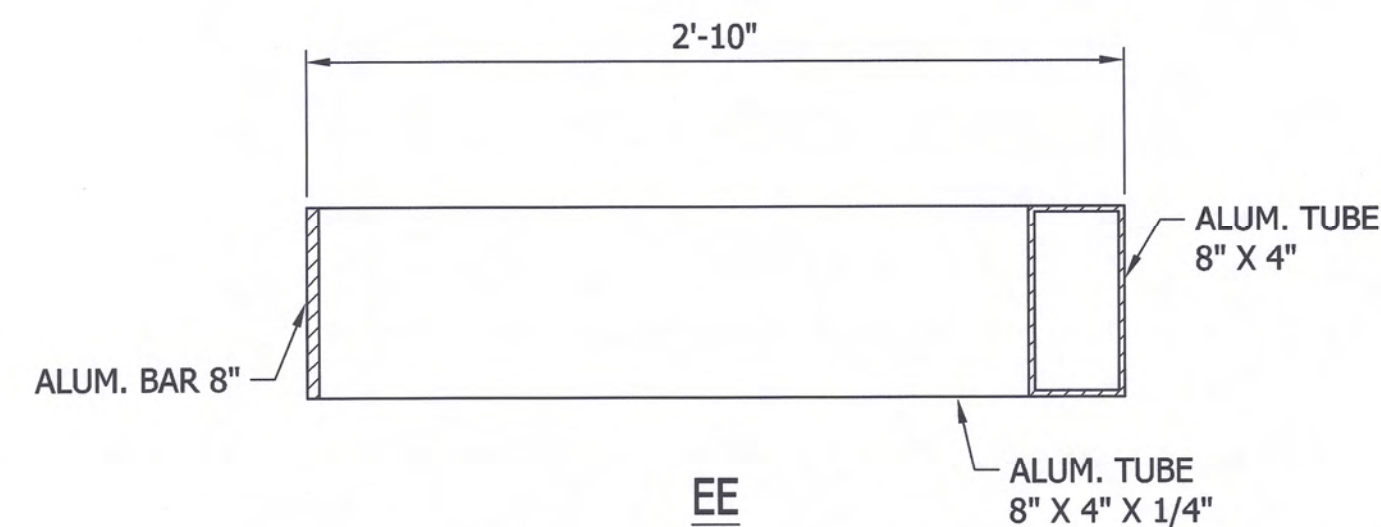
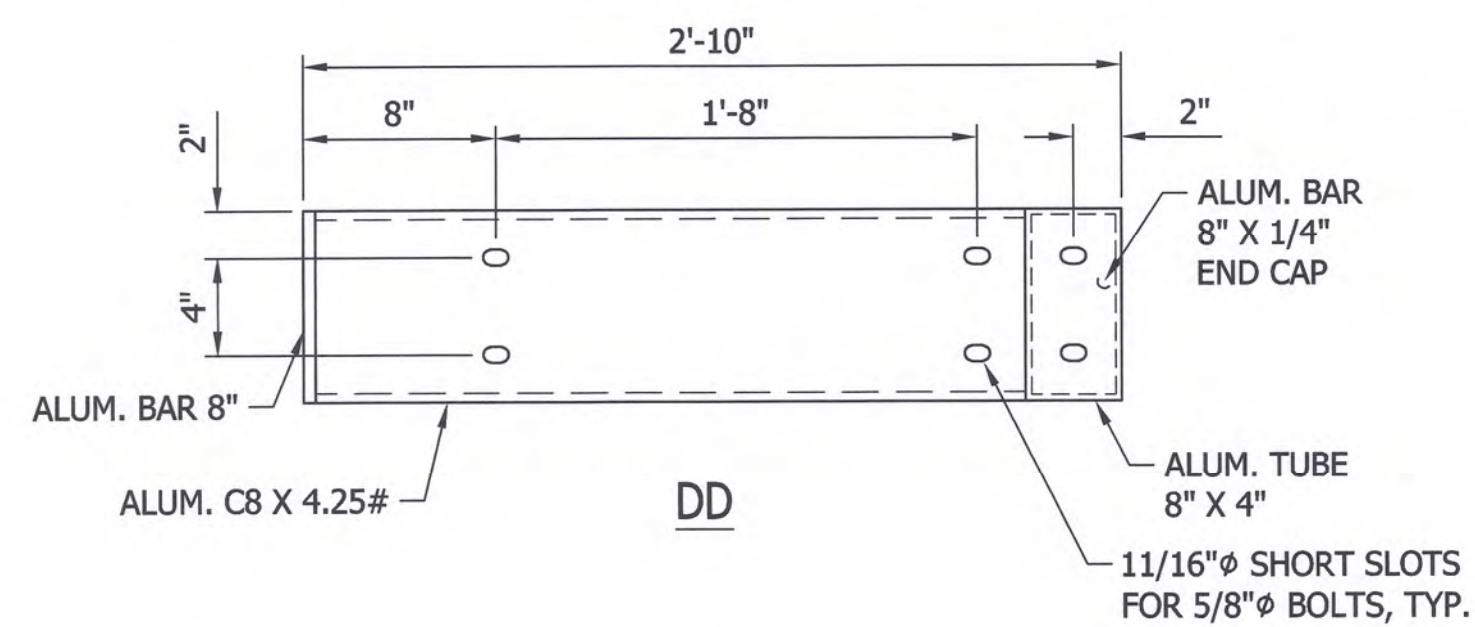
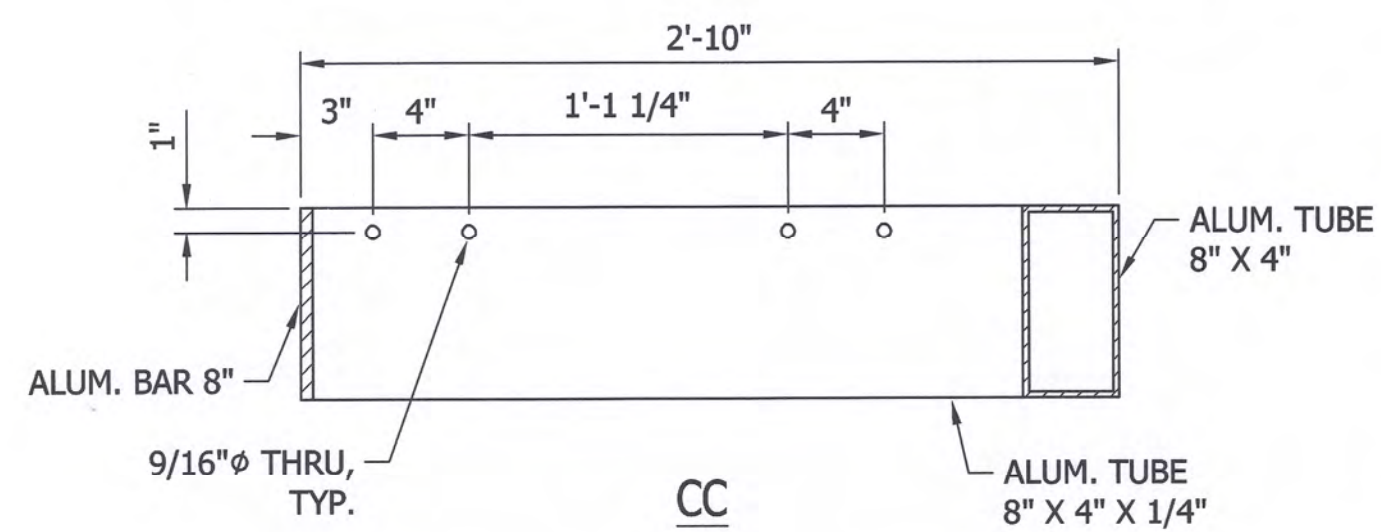
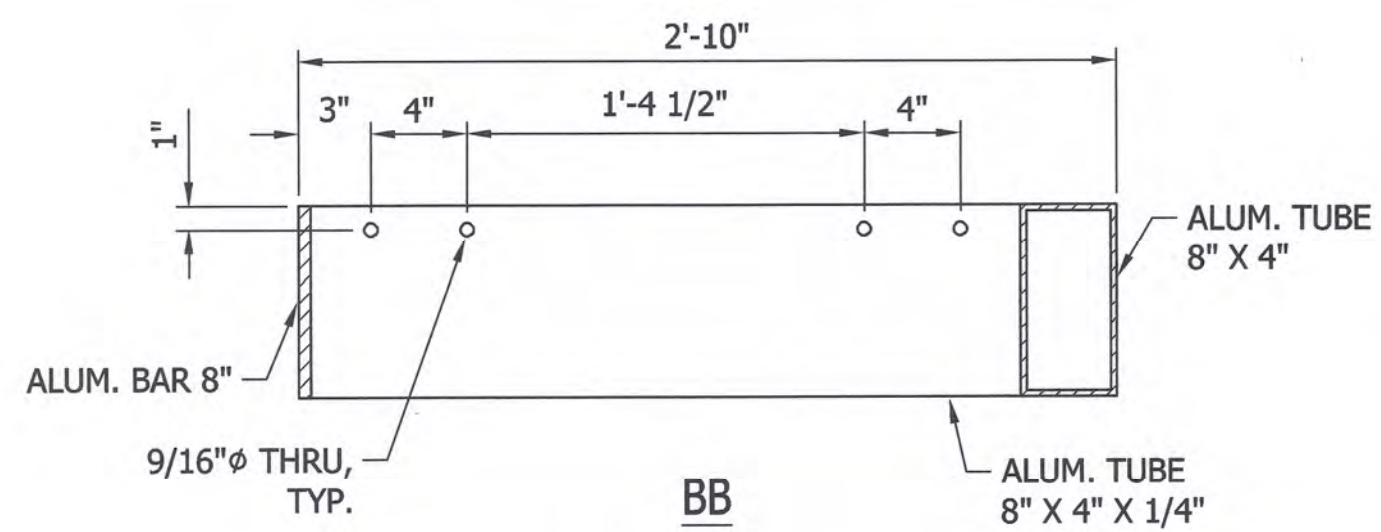
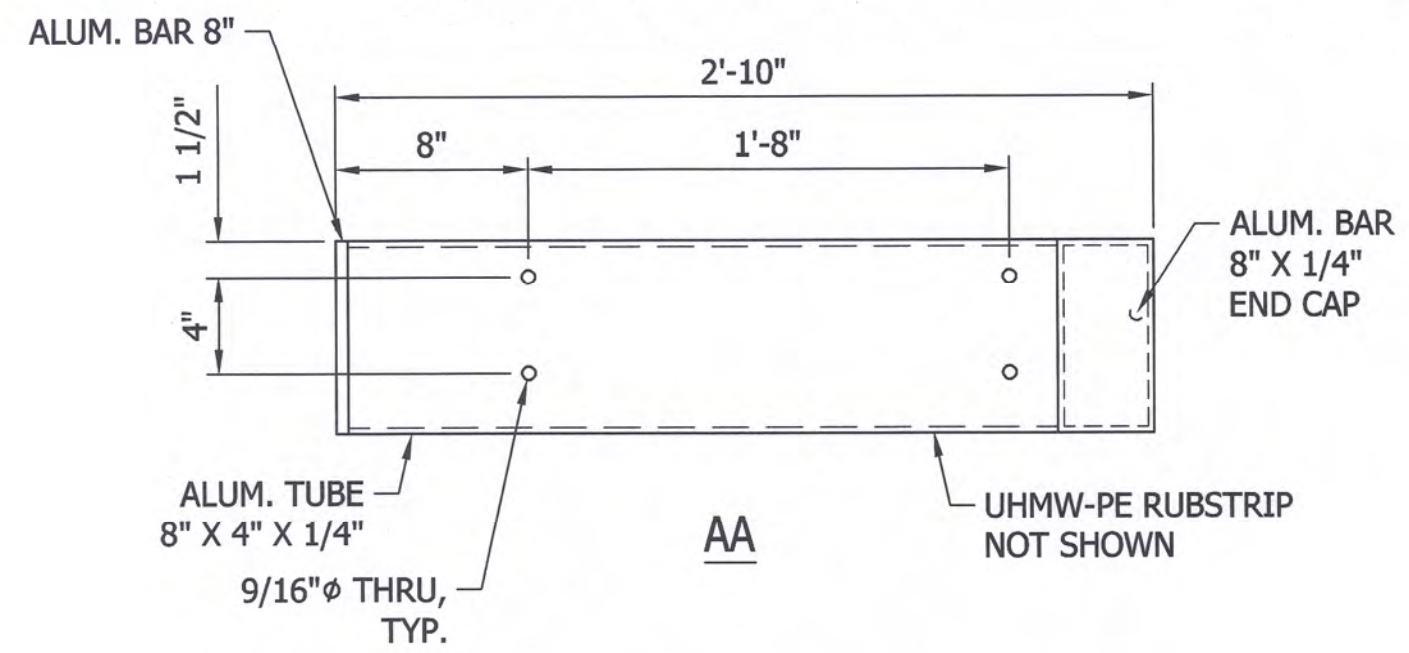
FLOATS
EXTENSIONS

FLOAT FRAME
'MR'

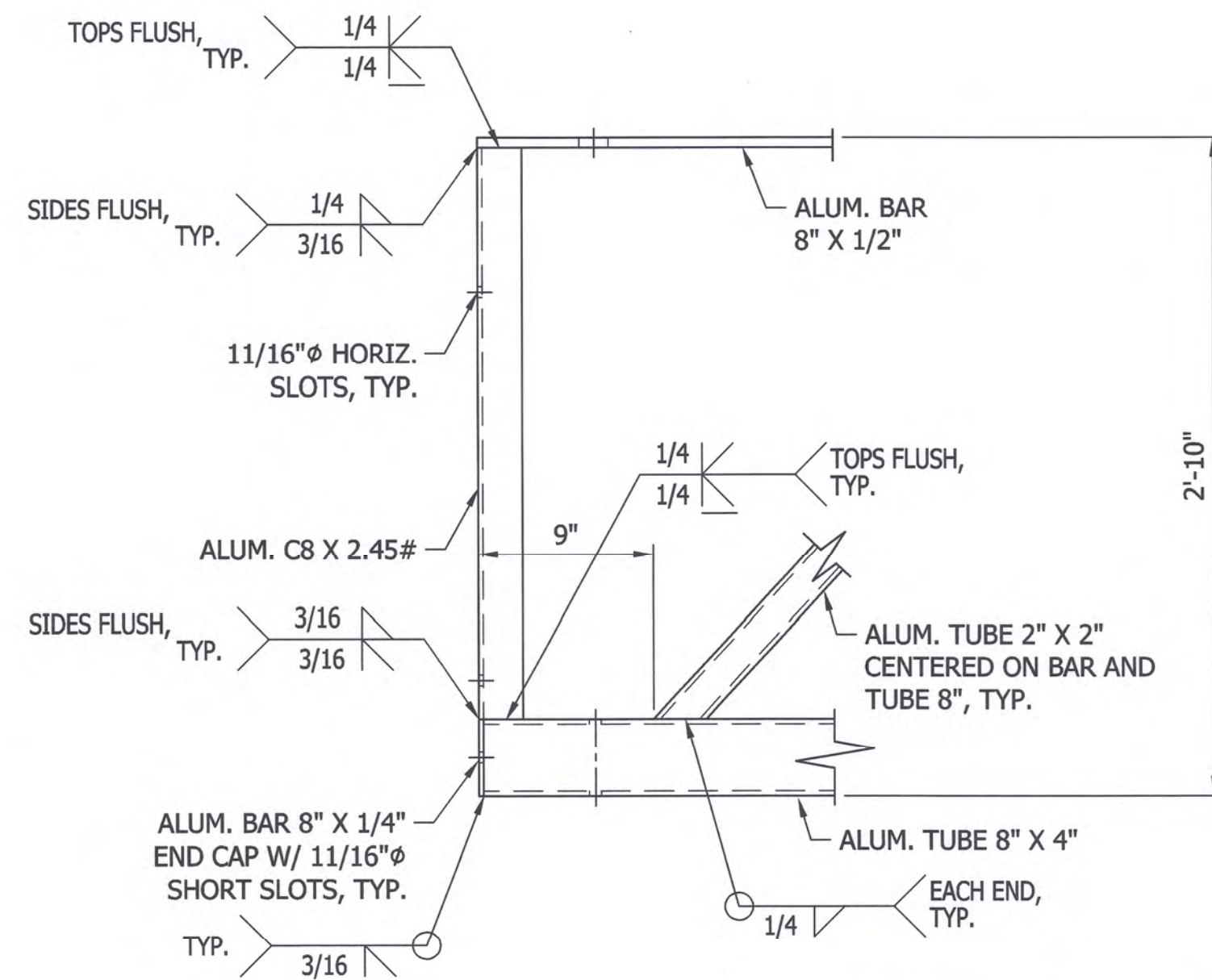
SCALE

AS SHOWN

FILE NO.



WELDING - 'F' FRAMES



WELDING - 'M' FRAMES

CAD NO.

NO.	REVISIONS	INT.	APP.	DATE

ACTION	BY	DATE
DESIGNED	KDL	03/15/23
DRAWN	KDL	03/15/23
CHECKED (FIELD)		
CHECKED (HDOOTS.)		



REGISTERED STAMP

WASHINGTON
STATE
PARKS
AND
RECREATION
COMMISSION



LAKE CHELAN
STATE PARK

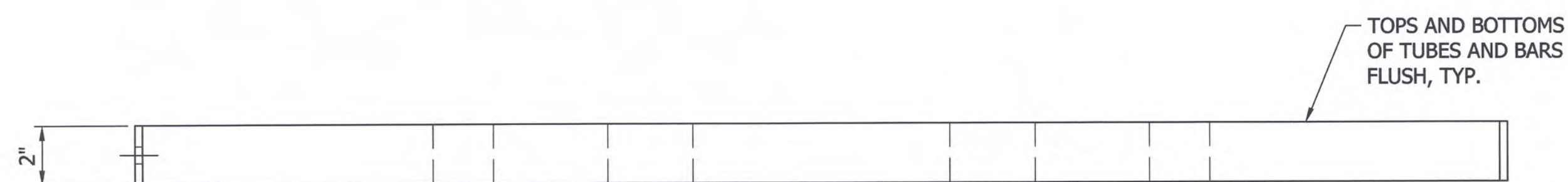
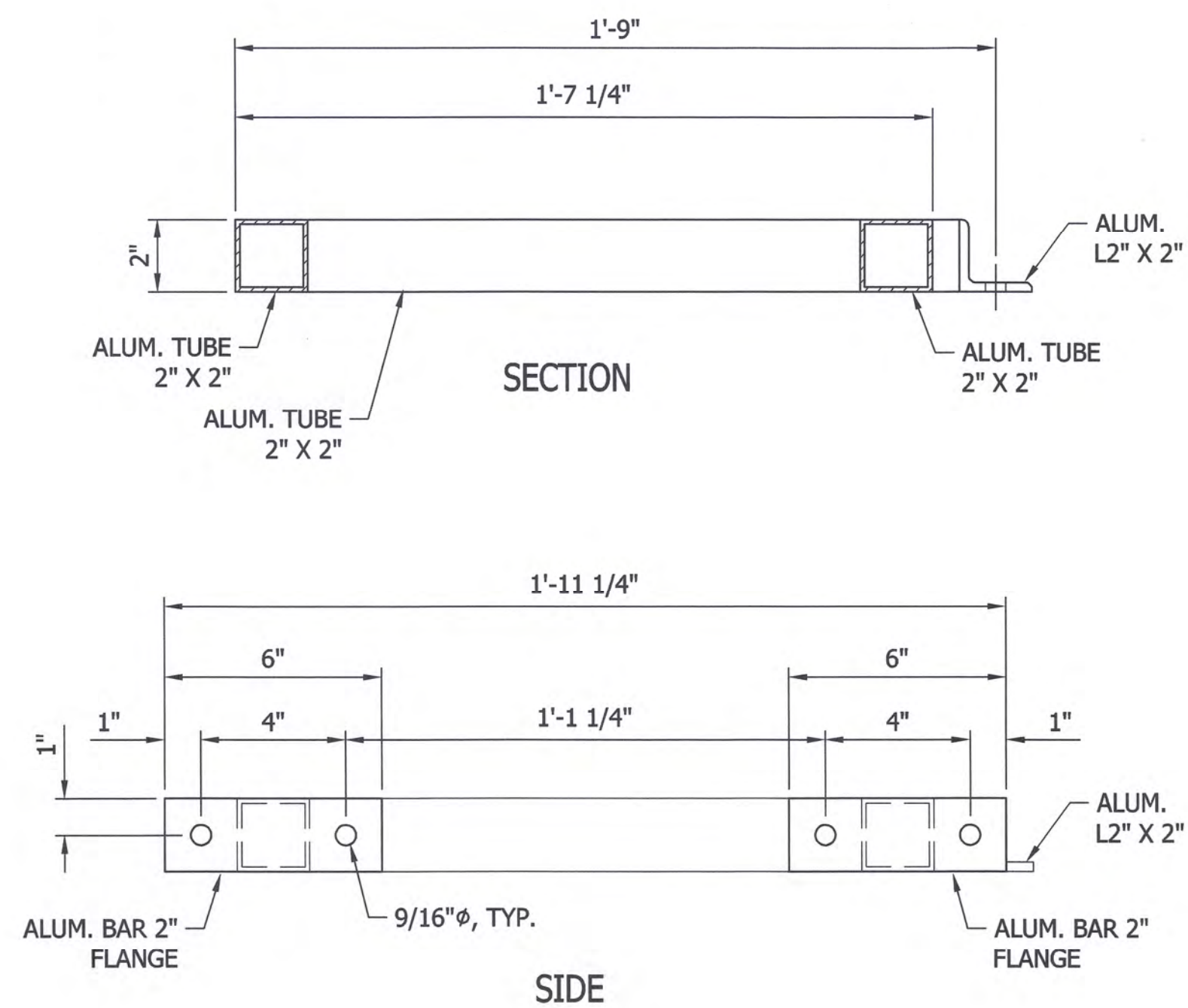
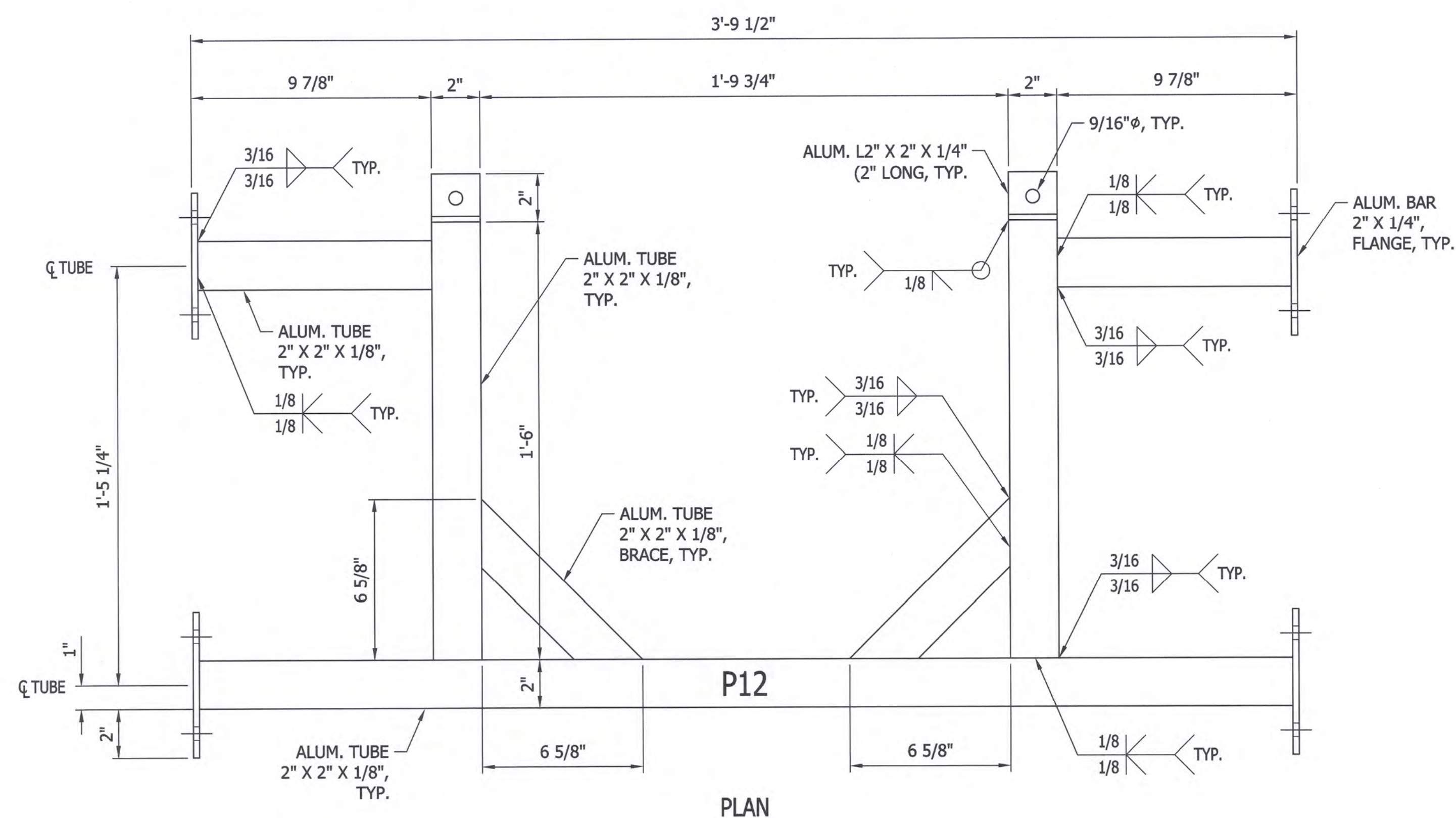
FLOATS
EXTENSIONS

FLOAT FRAME
BEAMS AND
WELDING

SCALE

AS SHOWN

FILE NO.



PILE HOOP FRAME 'P12' - MAKE 5

'P12' MATERIALS LIST

ITEM	CODE	QUANT.	WT.
ALUM. TUBE 2" X 2" X 1/8" X 0'-9 3/8"	BRACE	2	1.7
ALUM. TUBE 2" X 2" X 1/8" X 0'-9 5/8"	-	2	1.8
ALUM. TUBE 2" X 2" X 1/8" X 1'-6"	-	2	3.3
ALUM. TUBE 2" X 2" X 1/8" X 3'-9"	-	1	4.2
ALUM. BAR 2" X 1/4" X 0'-6"	FLANGE	4	1.2
ALUM. L2" X 2" X 1/4" X 0'-2"	-	2	0.4
			<hr/> 12.6

CAD NO.

NO.	REVISIONS	INT.	APP.	DATE

ACTION	BY	DATE
DESIGNED	KDL	03/15/23
DRAWN	KDL	03/15/23
CHECKED (FIELD)		
CHECKED (HQCTS.)		



REGISTERED STAMP

WASHINGTON
STATE
PARKS
AND
RECREATION
COMMISSION



LAKE CHELAN
STATE PARK

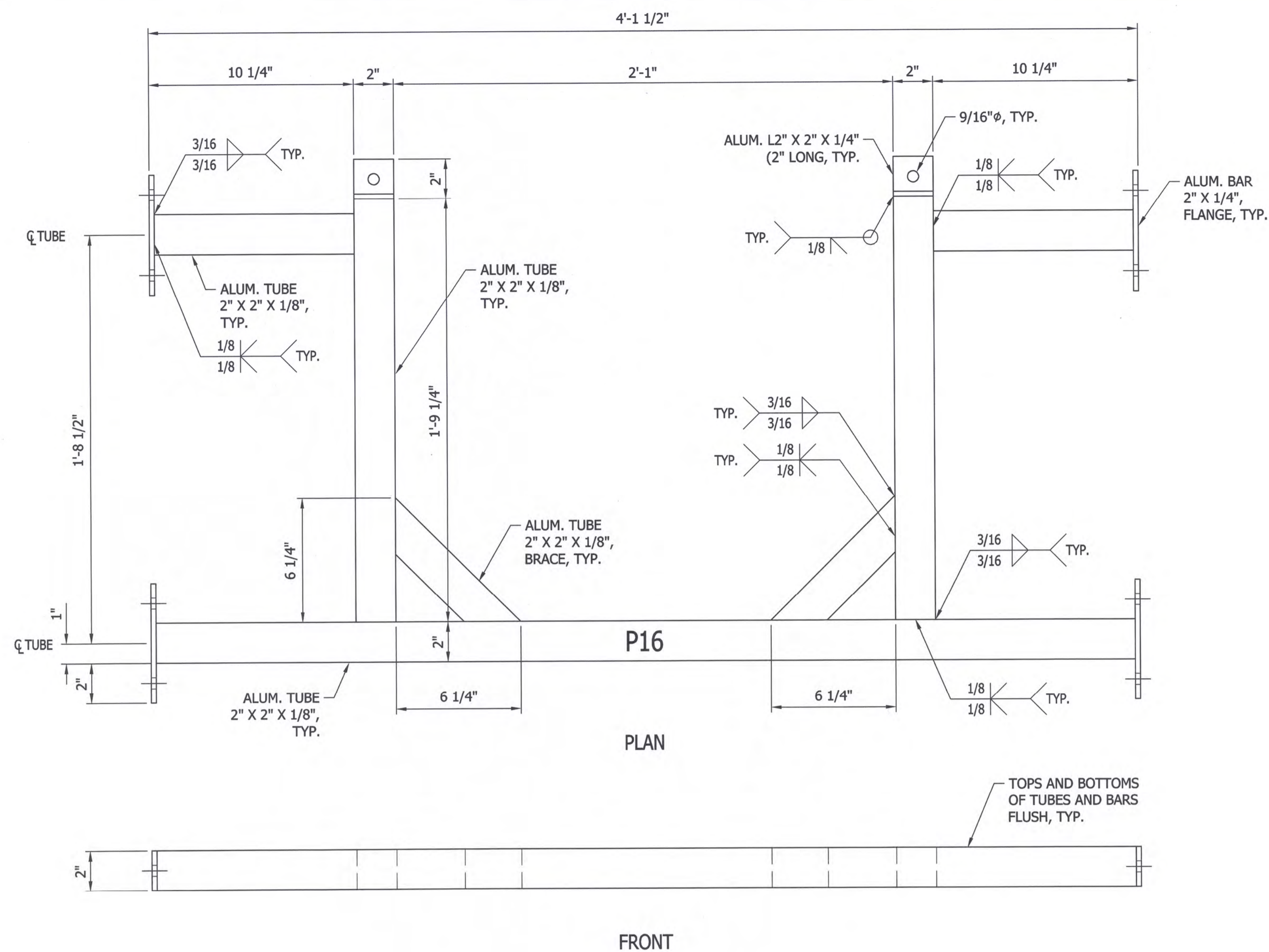
FLOATS
EXTENSIONS

PILE HOOP FRAME
'P12'

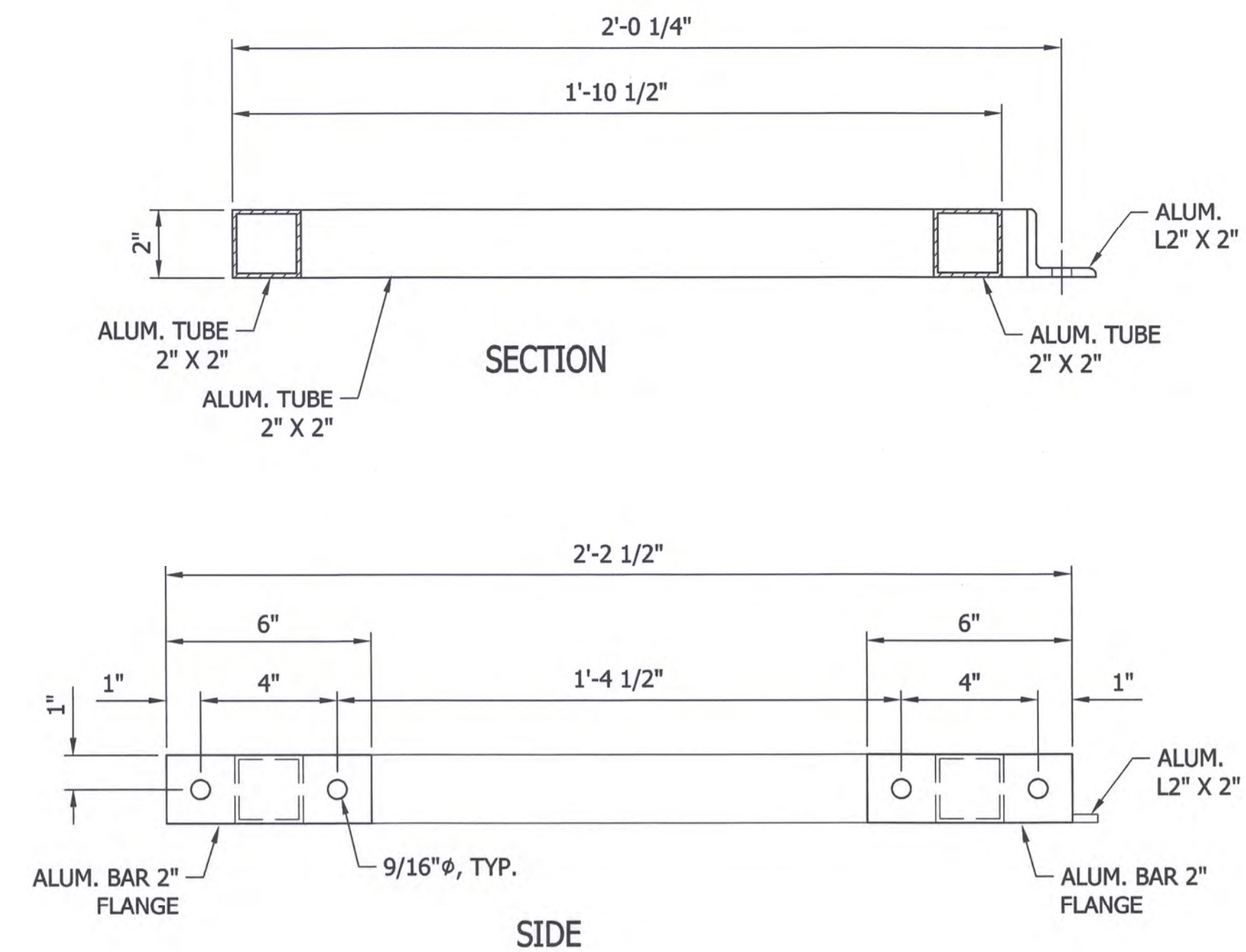
SCALE

AS SHOWN

FILE NO.



PILE HOOP FRAME 'P16' - MAKE 4



'P16' MATERIALS LIST

ITEM	CODE	QUANT.	WT.
ALUM. TUBE 2" X 2" X 1/8" X 0'-8 7/8"	BRACE	2	1.6
ALUM. TUBE 2" X 2" X 1/8" X 0'-10	-	2	1.9
ALUM. TUBE 2" X 2" X 1/8" X 1'-9 1/4"	-	2	3.9
ALUM. TUBE 2" X 2" X 1/8" X 4'-1"	-	1	4.5
ALUM. BAR 2" X 1/4" X 0'-6"	FLANGE	4	1.2
ALUM. L2" X 2" X 1/4" X 0'-2"	-	2	0.4
			13.5

CAD NO.

NO.	REVISIONS	INT.	APP.	DATE

ACTION	BY	DATE
DESIGNED	KDL	03/15/23
DRAWN	KDL	03/15/23
CHECKED (FIELD)		
CHECKED (HDOTS.)		



REGISTERED STAMP

WASHINGTON
STATE
PARKS
AND
RECREATION
COMMISSION



LAKE CHELAN
STATE PARK

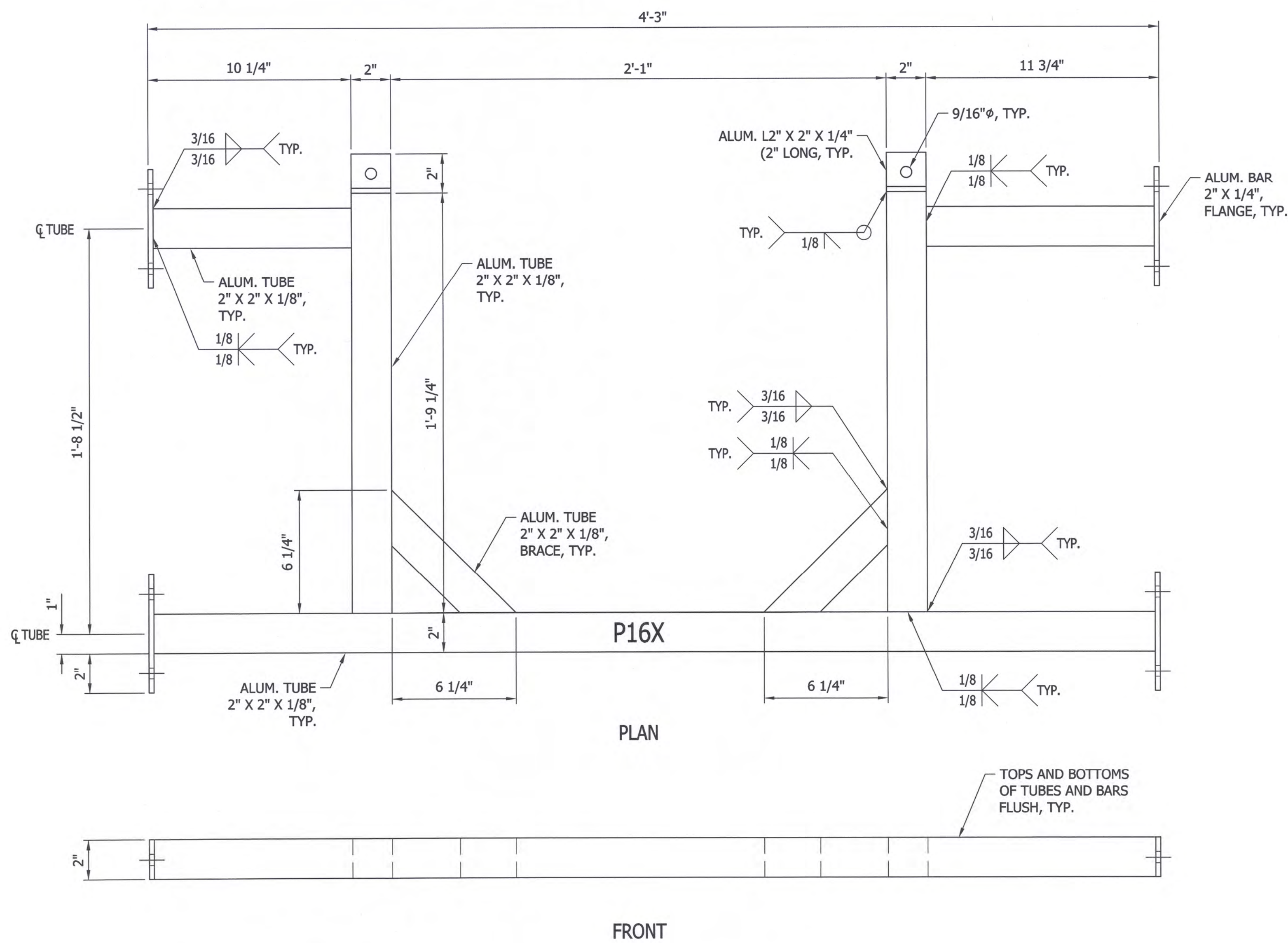
FLOATS
EXTENSIONS

PILE HOOP FRAME
'P16'

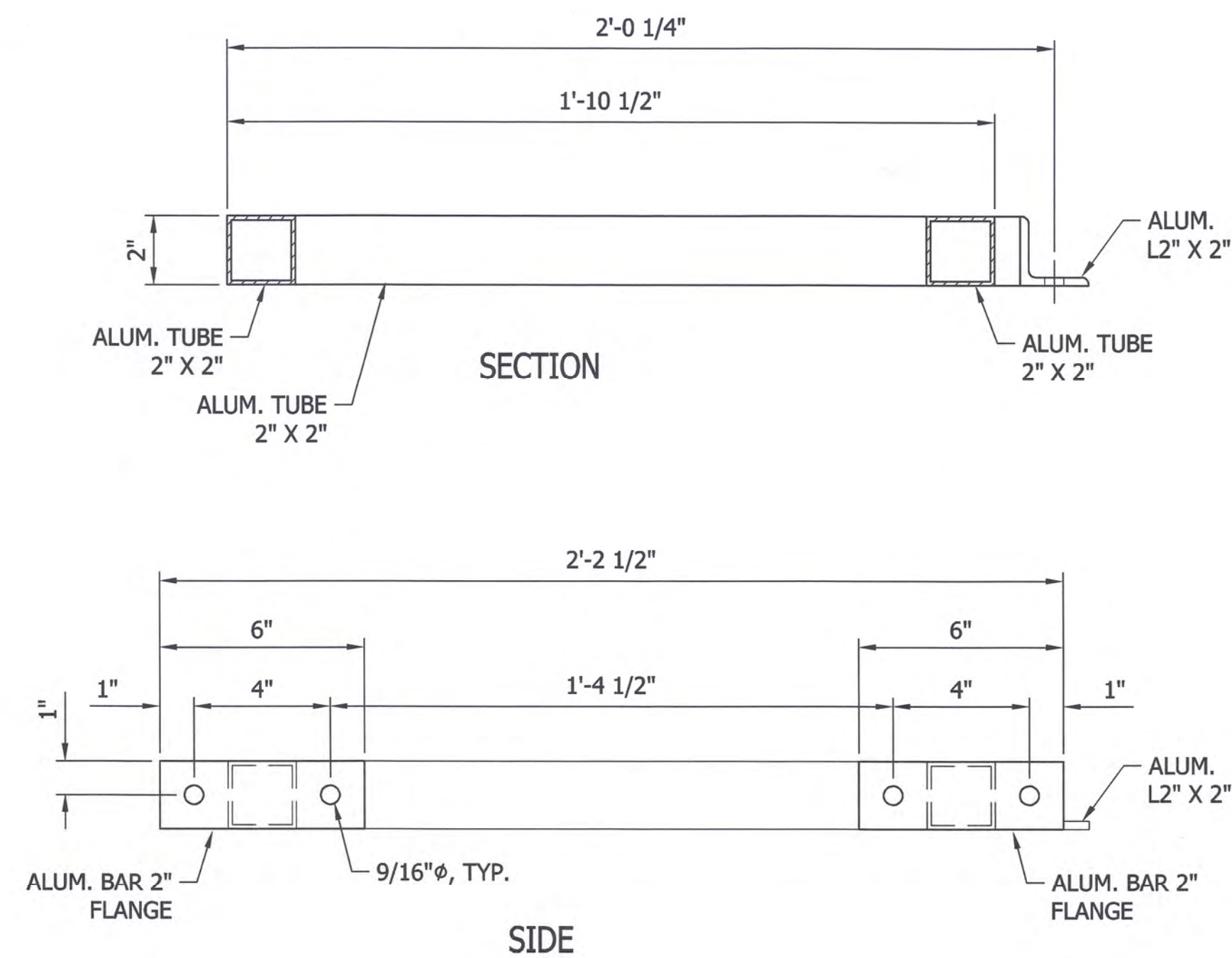
SCALE

AS SHOWN

FILE NO.



PILE HOOP FRAME 'P16X' - MAKE 1



'P16X' MATERIALS LIST

ITEM	CODE	QUANT.	WT.
ALUM. TUBE 2" X 2" X 1/8" X 0'-8 7/8"	BRACE	2	1.6
ALUM. TUBE 2" X 2" X 1/8" X 0'-10	-	1	0.9
ALUM. TUBE 2" X 2" X 1/8" X 0'-11 1/2"	-	1	1.1
ALUM. TUBE 2" X 2" X 1/8" X 1'-9 1/4"	-	2	3.9
ALUM. TUBE 2" X 2" X 1/8" X 4'-2 1/2"	-	1	4.7
ALUM. BAR 2" X 1/4" X 0'-6"	FLANGE	4	1.2
ALUM. L2" X 2" X 1/4" X 0'-2"	-	2	0.4
			13.8

CAD NO.

NO.	REVISIONS	INT.	APP.	DATE

ACTION	BY	DATE
DESIGNED	KDL	03/15/23
DRAWN	KDL	03/15/23
CHECKED (FIELD)		
CHECKED (HDQTS.)		



REGISTERED STAMP

WASHINGTON
STATE
PARKS
AND
RECREATION
COMMISSION



LAKE CHELAN
STATE PARK

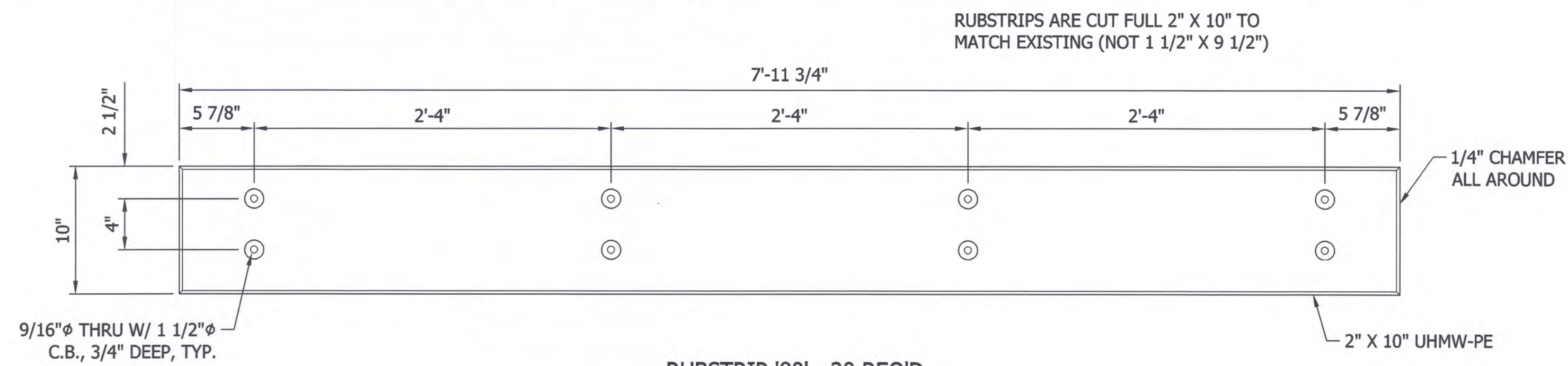
FLOATS
EXTENSIONS

PILE HOOP FRAME
'P16X'

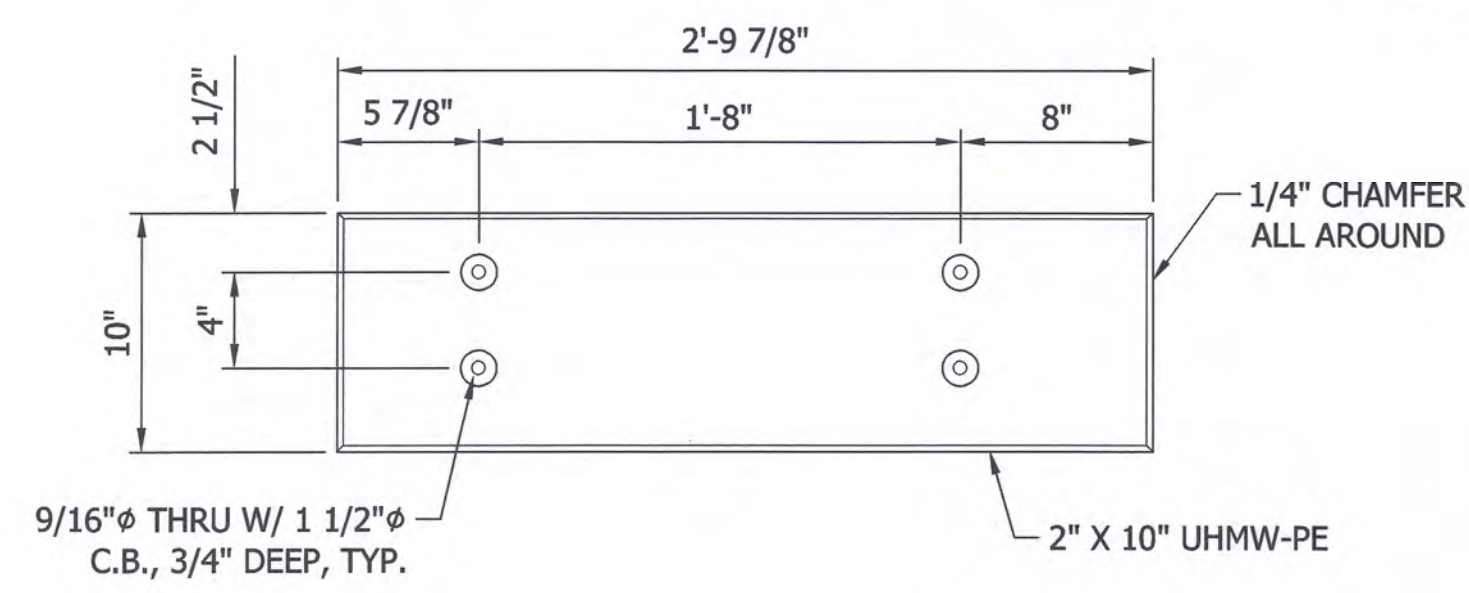
SCALE

AS SHOWN

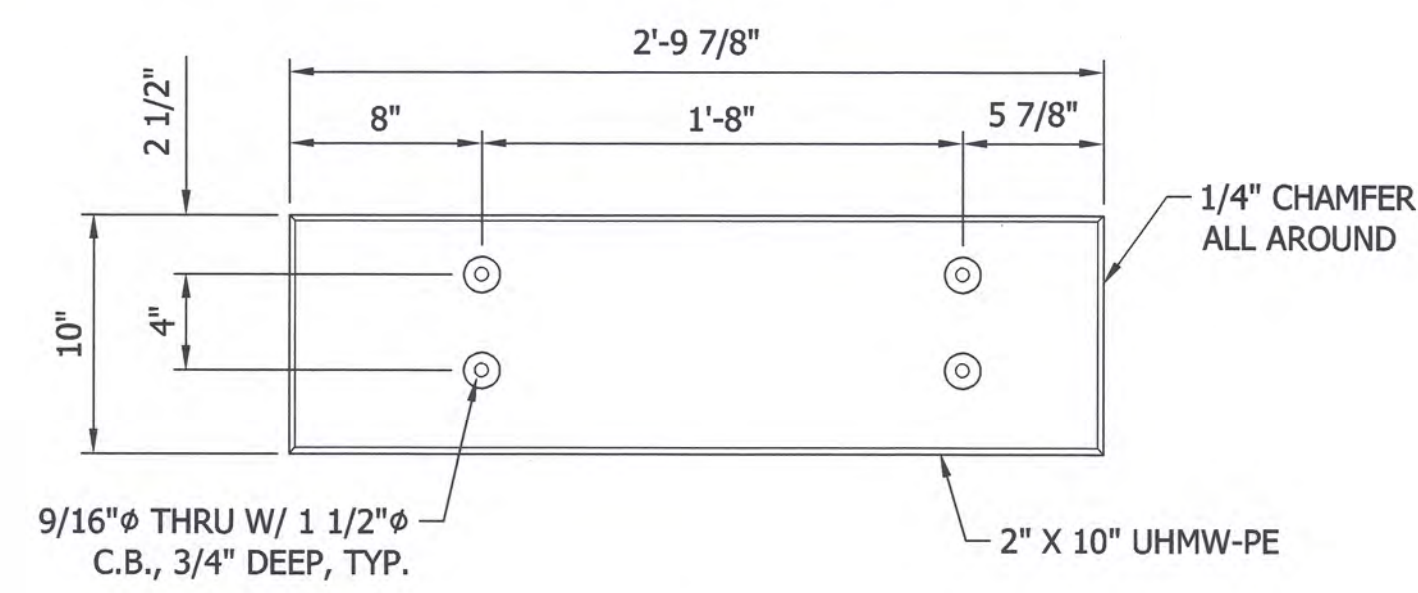
FILE NO.



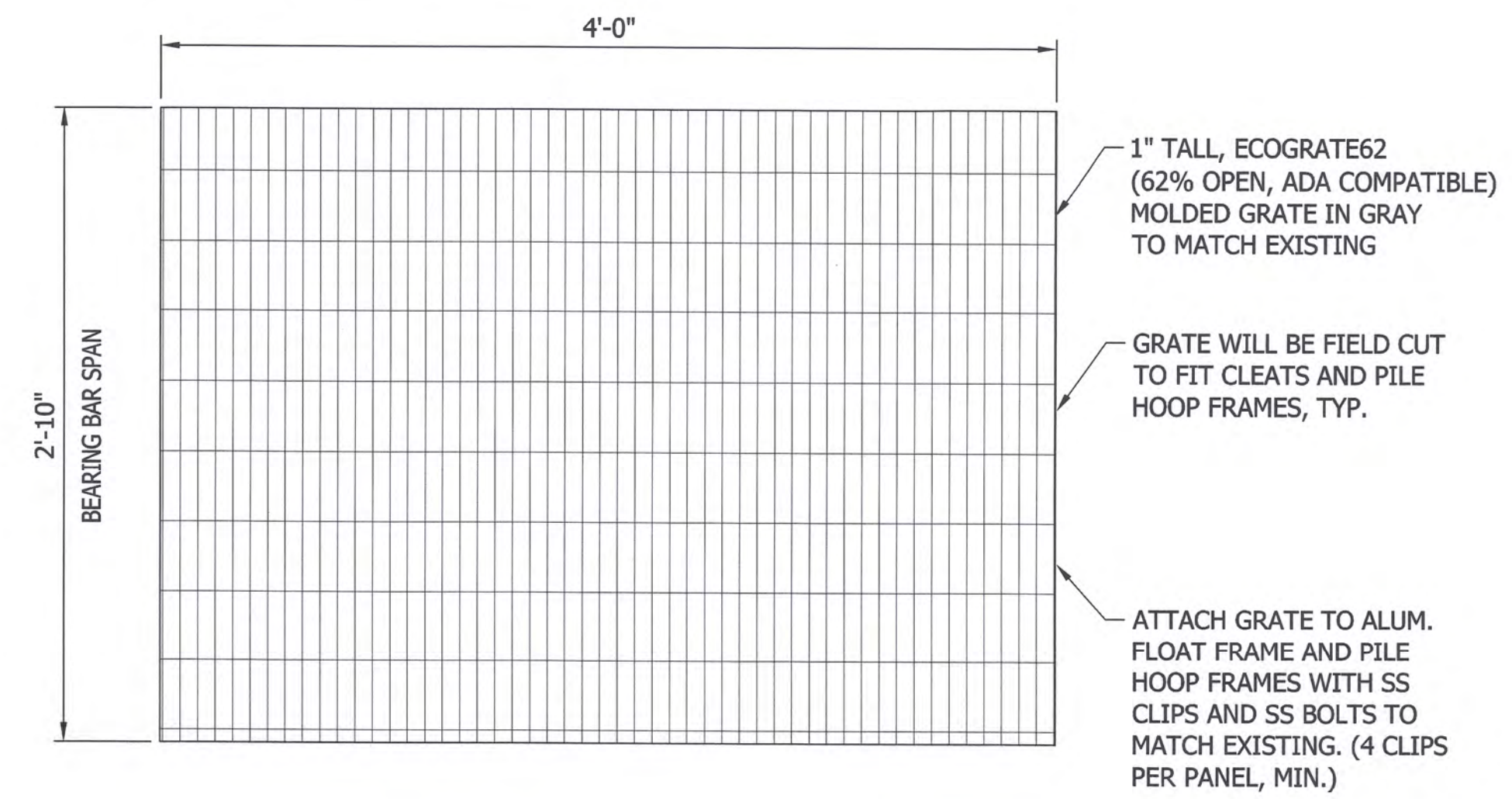
RUBSTRIP '80' - 20 REQ'D
66.7 LBS.



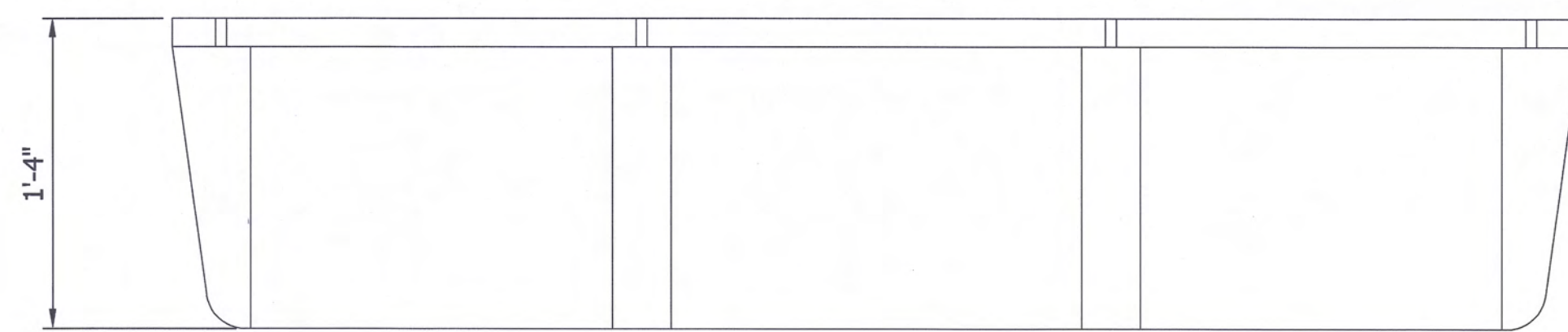
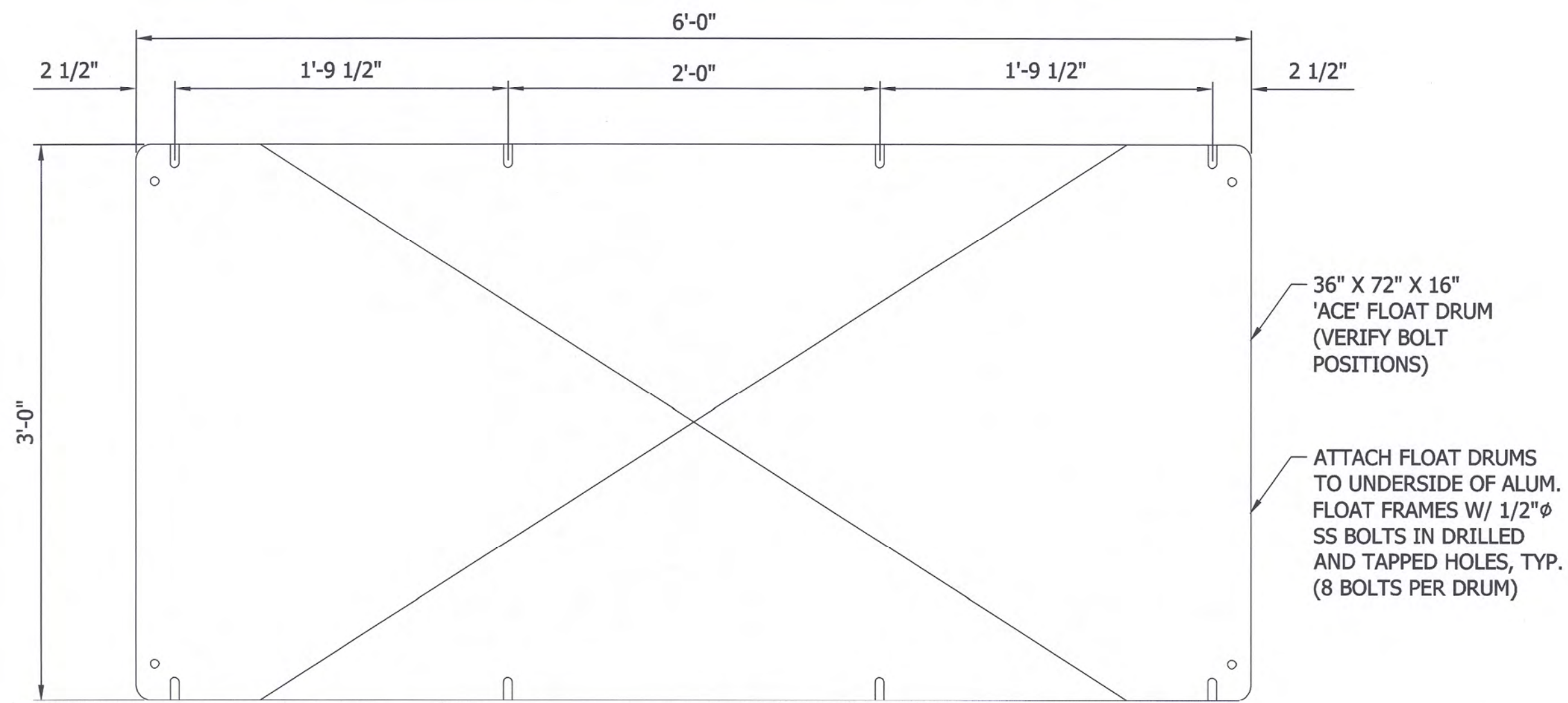
RUBSTRIP 'EL' - 5 REQ'D
23.6 LBS.



RUBSTRIP 'ER' - 5 REQ'D
23.6 LBS.



GRATE PANEL - 40 REQ'D
8 GRATE PANELS PER FLOAT
34 LBS. PER PANEL, 272 LBS. PER FLOAT



36" X 72" X 16" FLOAT DRUM - 10 REQ'D
TWO FLOAT DRUMS PER FLOAT
57 LBS. EACH DRUM, 114 LBS. PER FLOAT

CAD NO.		DATE
		APP.
		INT.
		REVISIONS
		NO.

ACTION	BY	DATE
DESIGNED	KDL	03/15/23
DRAWN	KDL	03/15/23
CHECKED (FIELD)		
CHECKED (HDQTS.)		



REGISTERED STAMP

WASHINGTON
STATE
PARKS
AND
RECREATION
COMMISSION



LAKE CHELAN
STATE PARK

FLOATS
EXTENSIONS

RUBSTRIP, GRATES
AND FLOAT DRUMS

SCALE	AS SHOWN
-------	----------

FILE NO.